

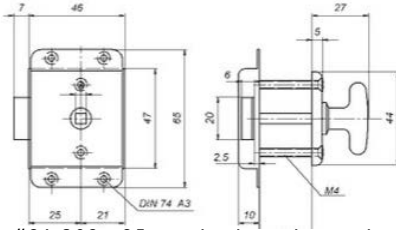




Izerwaren  
Order  
numbers

• Brass cabinet latches and locks  
Finish: Chrome plated brass  
**Marine Rim Latches (Slam Latch Action)**

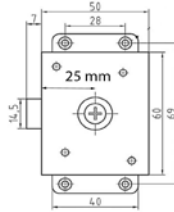
21.309 **Latch #4309;** 25 mm backset,  
for 5 x 5 mm spindle; with strike  
Case 46 x 65 mm  
polished chrome plated brass  
Knob set #4309K separate order  
Strike #4309S



Latch #21.309; 25 mm backset, brass chrome plated 5 x 5 mm spindle with knob + rose



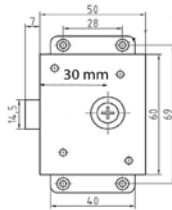
21.709-25 **Latch #3709;** 25 mm backset,  
for 7 x 7 mm spindle; with strike  
Case 50 x 78 mm  
polished chrome plated brass  
Strike #3709S



Latch #21.709-25; 25 mm backset brass chrome plated 7 x 7 mm spindle



21.709-30 **Latch #3709;** 30 mm backset,  
for 7 x 7 mm spindle; with strike  
Case 50 x 78 mm  
polished chrome plated brass  
Strike #3709S



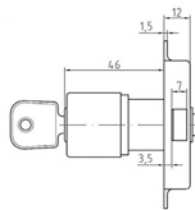
Latch #21.709-30; 30 mm backset, brass chrome plated 7 x 7 mm spindle SET: 21.719-30 #16.087 oval knob with #oval rose



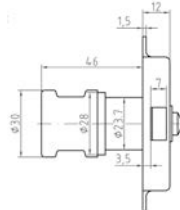
21.711Z **Latch #3711Z;** 30 mm backset,  
With cylinder keyway in knob;  
with strike  
Case 50 x 78 mm  
polished chrome plated brass with  
steel parts

21.711K **Latch #3711K;** 30 mm backset,  
With Knob and with strike  
Case 50 x 78 mm  
polished chrome plated brass  
thickness of door 3/4".

**Marine Rim Lock**



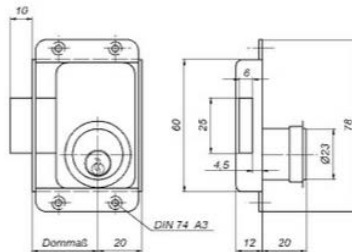
latch #21.711Z; 30 mm backset, brass chrome plated



21.711K



21.73Z **Deadbolt #3273Z;**  
25 mm backset,  
(also avail. 20, 30 mm backset)  
With cylinder keyway, with strike  
Case 45 x 78 mm  
polished chrome plated brass  
thickness of door 3/4".



latch #3273Z; 25 mm backset, brass chrome plated; also with 20, 30 mm backset For door thickness from 5/8" to 1 3/16."



**Push Pin Marine Rim Latches (with Slam Latch Action)**



#21.515 Push Pin Latch;  
15 mm (5/8 inch) backset



#21.503 Push pin Latch  
22.5 mm (3/4 inch) backset



#24.1520 Push Pin latch with pull  
15 mm (5/8 inch) backset



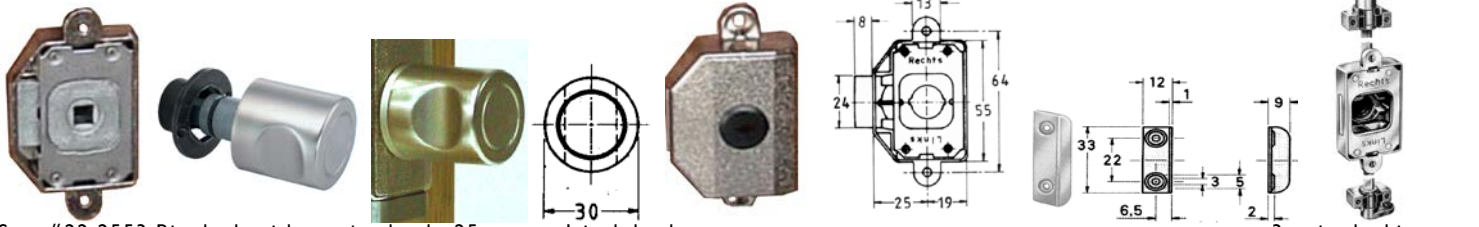
#24.5175 Pull separate

**For more exterior grade marine slam latches with push pin see page 2-1-A**



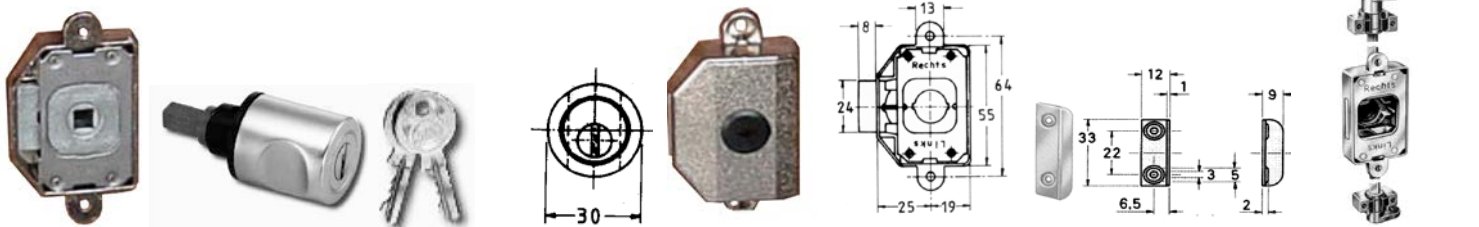


**CABINET RIM LOCK WITH TURNING KNOB; 25 MM OR 1 INCH BACKSET**



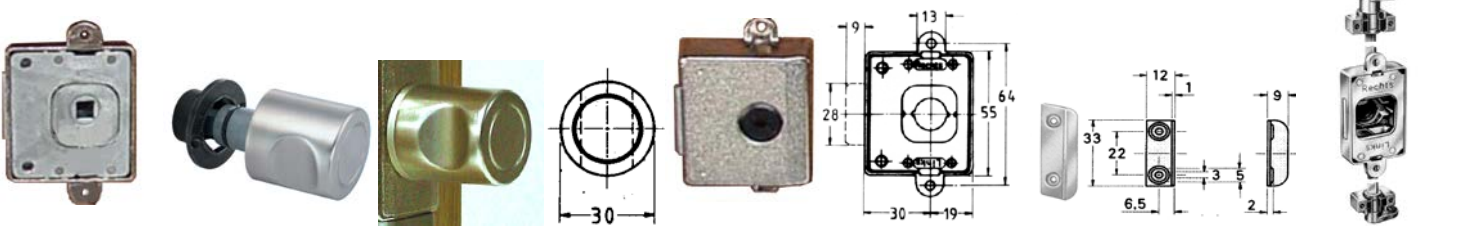
Set: #22.2553 Rim lock with turning knob; 25 mm or 1 inch backset;  
Knob 30 mm or 1 3/16 inch diameter; Projects 32 mm or 1 1/4 inch.  
Rim lock# 22.025 Knob-Turning #22.553 7 x7 mm spindle; Angle strike plate: #23.072  
Three Point Rim lock Set: #22.2553I; Supplied with hooks, guides, strikes and 2 lengths of 1000 mm or 39 3/8 inch of 6 mm diameter rod.

**CABINET RIM LOCK WITH LOCKING TURNING KNOB; 25 MM OR 1 INCH BACKSET**



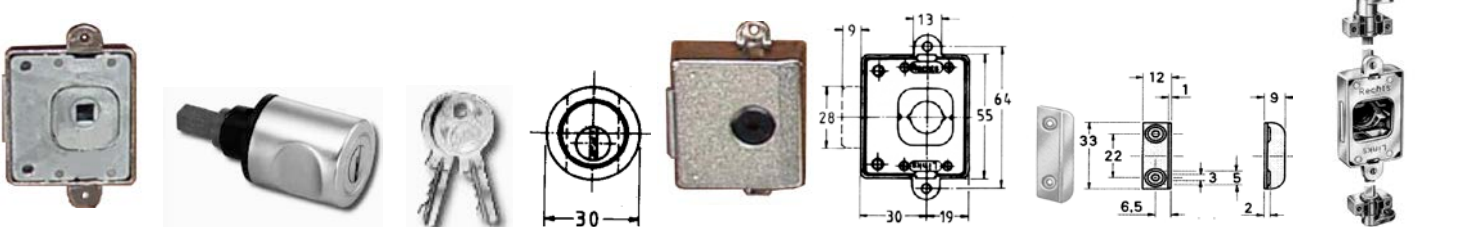
#22.2551 Rim lock with **LOCKING** turning knob; 25 mm or 1 inch backset;  
Knob 30 mm or 1 3/16 inch diameter; Projects 32 mm or 1 1/4 inch.  
Rim lock# 22.025 Knob-Turning #22.551 7 x7 mm spindle; 2 keys; Angle strike plate: #23.072  
Three Point Rim lock Set: #22.2551I; Supplied with hooks, guides, strikes and 2 lengths of 1000 mm or 39 3/8 inch of 6 mm diameter rod.

**CABINET RIM LOCK WITH TURNING KNOB; 30 MM OR 1 3/16 INCH BACKSET**



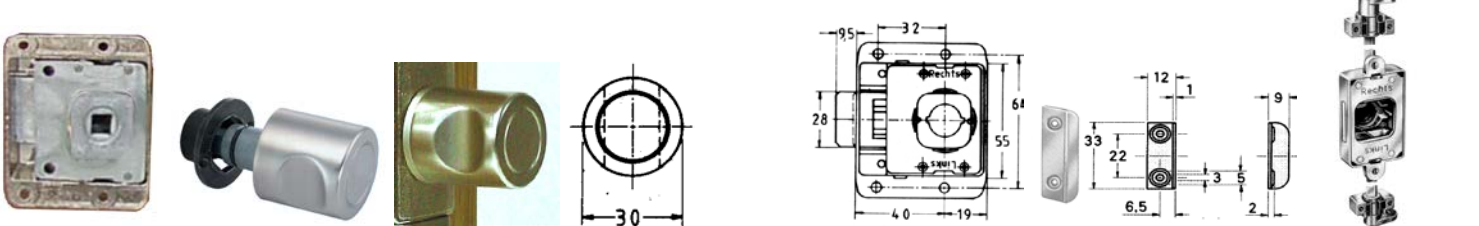
Set: #22.3053 Rim lock with turning knob; 30 mm or 1 3/16 inch backset;  
Knob 30 mm or 1 3/16 inch diameter; Knob Projects 32 mm or 1 1/4 inch.  
Rim lock# 22.030 Knob-Turning #22.553 7 x7 mm spindle; Angle strike plate: #23.072  
Three Point Rim lock Set: #22.3053I; Supplied with: Hooks, guides, strikes and 2 lengths of 1000 mm or 39 3/8 inch of 6 mm diameter rod.

**CABINET RIM LOCK WITH LOCKING TURNING KNOB; 30 MM OR 1 3/16 INCH BACKSET**



Set: #22.3051 Rim lock with **LOCKING** turning knob; 30 mm or 1 3/16 inch backset;  
Knob 30 mm or 1 3/16 inch diameter; Knob Projects 32 mm or 1 1/4 inch.  
Rim lock# 22.030 Knob-Turning #22.551 with 2 keys; 7 x7 mm spindle; Angle strike plate: #23.072  
Three Point Rim lock Set: #22.3051I; Supplied with: Hooks, guides, strikes and 2 length of 1000 mm or 39 3/8 inch of 6 mm diameter rod.

**CABINET RIM LOCK WITH TURNING KNOB; 40 MM OR 1 9/16 INCH BACKSET**

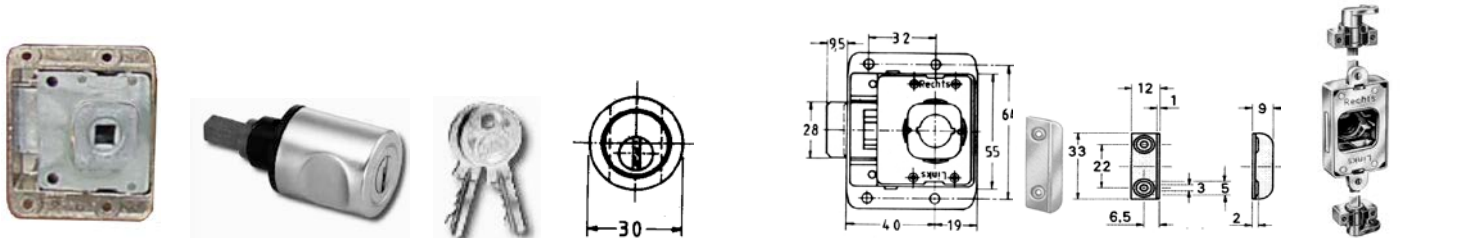


Set: #22.4053 Rim lock with turning knob; 40 mm or 1 9/16 inch backset;  
Knob 30 mm or 1 3/16 inch diameter; Knob Projects 32 mm or 1 1/4 inch.  
Rim lock# 22.040 Knob-Turning #22.553 7 x7 mm spindle; Angle strike plate: #23.072  
Three Point Rim lock Set: #22.4053I; Supplied with: Hooks, guides, strikes and 2 length of 1000 mm or 39 3/8 inch of 6 mm diameter rod.



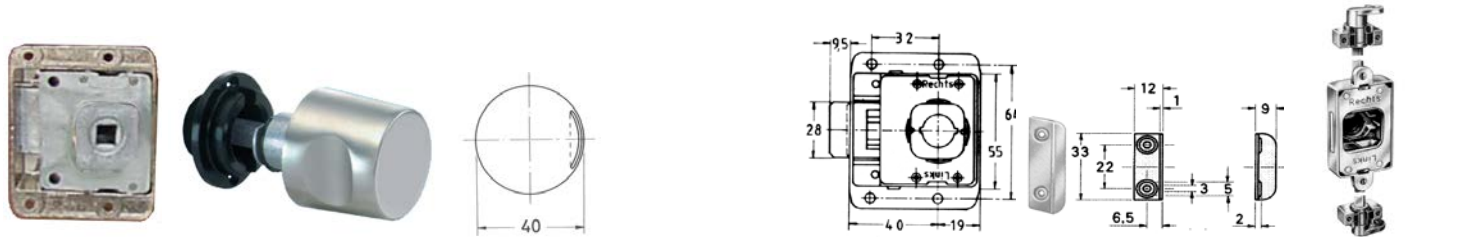


**CABINET RIM LOCK WITH LOCKING TURNING KNOB; 40 MM OR 1 9/16 INCH BACKSET**



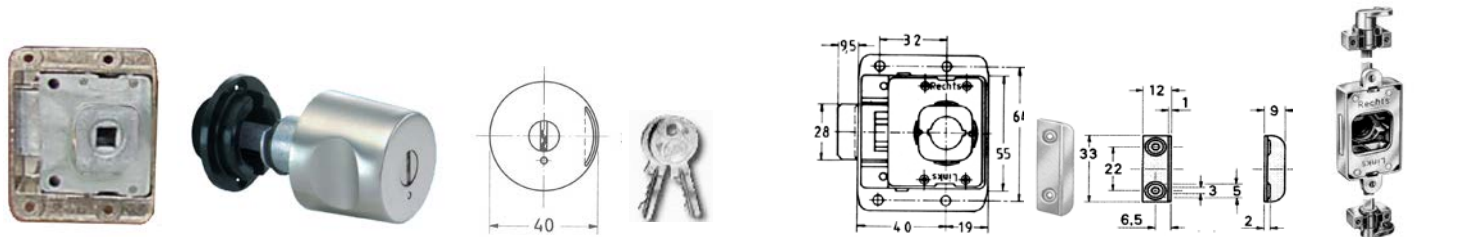
Set: #22.4051 Rim lock with **LOCKING** turning knob; 40 mm or 1 9/16 inch backset; #22.4051 I: 3 point locking set  
Knob 30 mm or 1 3/16 inch diameter; Knob Projects 32 mm or 1 1/4 inch.  
Rim lock# 22.040 Knob-Turning #22.551 with 2 keys; 7 x7 mm spindle; Angle strike plate: #23.072  
Three Point Rim lock Set: #22.4051 I; Supplied with: Hooks, guides, strikes and 2 length of 1000 mm or 39 3/8 inch of 6 mm diameter rod.

**CABINET RIM LOCK WITH TURNING KNOB; 40 MM OR 1 9/16 INCH BACKSET**

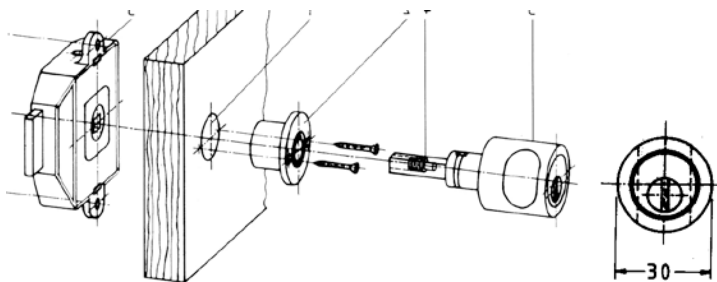


Set: #22.4005 Rim lock with turning knob; 40 mm or 1 9/16 inch backset; #22.4005 I: 3 point locking set  
Knob diameter 40 mm or 1 9/16 inch diameter; Knob Projects 34 mm or 1 3/8 inch.  
Rim lock#22.040; Knob-Turning #22.3505; 7 x7 mm spindle; Angle strike plate #23.072.  
Three Point Rim lock Set: #22.4005 I; Supplied with: Hooks, guides, strikes and 2 length of 1000 mm or 39 3/8 inch of 6 mm diameter rod.

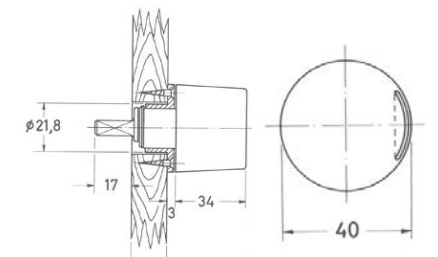
**CABINET RIM LOCK WITH LOCKING TURNING KNOB; 40 MM OR 1 9/16 INCH BACKSET**



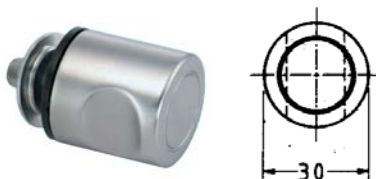
Set: #22.4001 Rim lock with **LOCKING** turning knob; 40 mm or 1 9/16 inch backset; #22.4001 I: 3 point locking set  
Knob diameter 40 mm or 1 9/16 inch diameter; Knob Projects 34 mm or 1 3/8 inch.  
Rim lock# 22.040 Knob-Turning #22.3501 7 x7 mm spindle; Angle strike plate: #23.072  
Three Point Rim lock Set: #22.4001 I; Supplied with: Hooks, guides, strikes and 2 lengths of 1000 mm or 39 3/8 inch of 6 mm diameter rod.



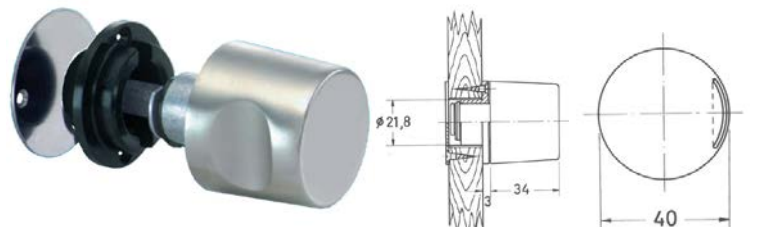
Drawing for using 30 mm diameter turning knob



Drawing for using 40 mm turning knob



Pull-Knob separate: #22.555 size: 30 Ø x 30 mm



Pull Knob separate: #22.3503; size: 40 Ø x 34 mm

Finish for all knobs and mechanisms: Satin nickel



Izerwaren  
Order  
numbers

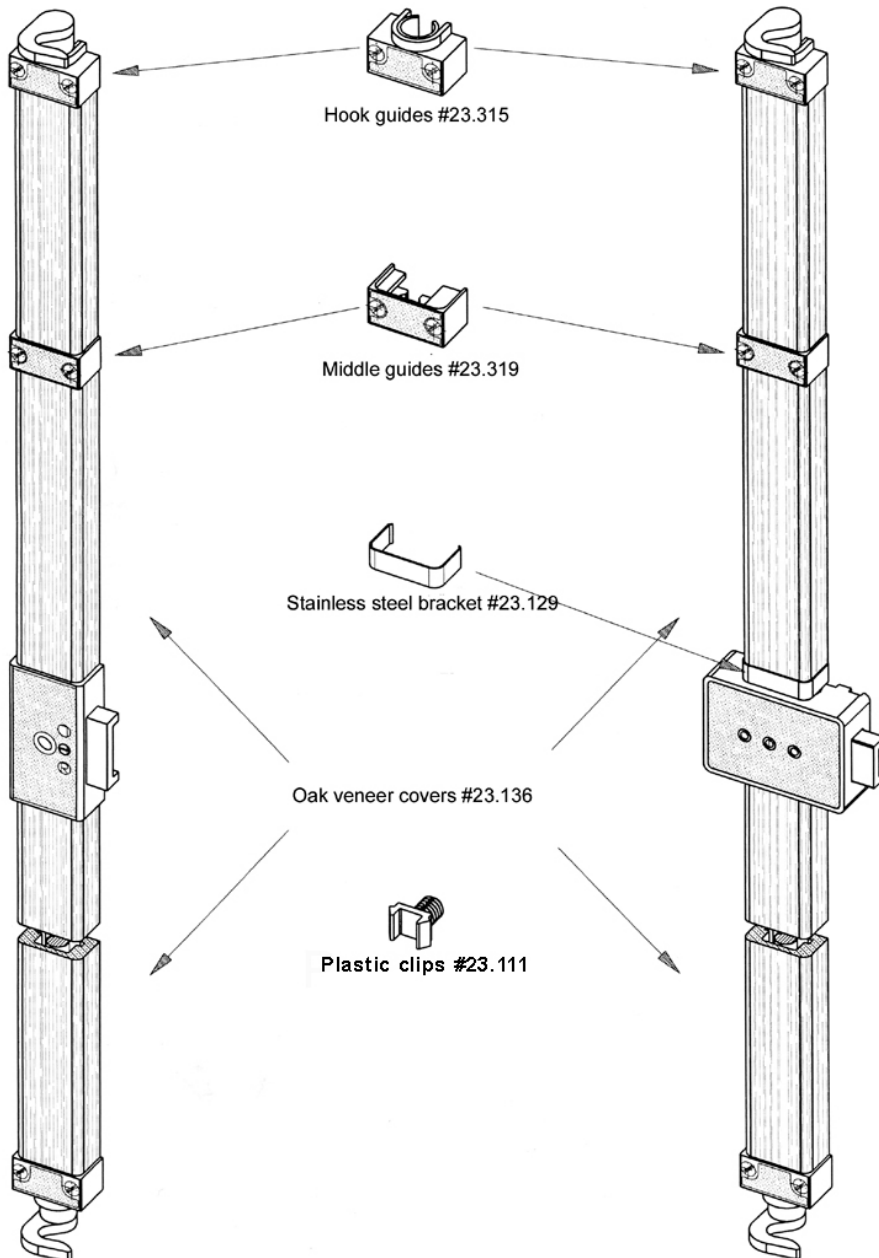
- Cabinet Rim lock, steel with zinc
- Backset 16-20-25-30-40 mm
- With 1, 2 or 3 point locking option
- To open: turn knob 1/4 left or right
- Lock case steel nickel plated
- Minimum door thickness 16 mm ~ 5/8"
- Strike plate not included with lock

**INTERIOR USE,  
steel and zinc parts**

Rim locks with espagnolette bolts, for interior use



#22.0251 Rim lock for espagnolette bolts #22.0161 Rim lock for espagnolette bolts; See page 2-2 for lock details



sample rim lock set with oak wood veneer covers



sample rim lock set with oak wood veneer covers

Order a set use part no.: 23.1362. One set: Oak Veneer Covers (cut to size), 6 Plastic Clips, 2 metal brackets, 2 Middle Guides, 2 Hook Guides, 2 hooks, 2 rods. Oak Veneer Covers separate: #23.136 in lengths of 2 meter (78 3/4 inch).



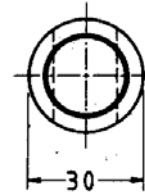
Izerwaren  
order  
numbers

- Cabinet Rim locks interior grade
- Steel and zamac parts
- backset 15- 20-25-30-40 mm

22.555 **Knob 3555 fixed knob**  
 Knob zamac  
**30 mm - 1 3/16" diameter, projects:**  
**30 mm - 1 -3/16"**



Satin nickel finish

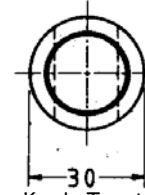


Pull-Knob #22.555



Screw on, not turning

22.553 **Knob 3553 turning knob only**  
 Knob zamac, rose black zamac  
 30 mm - 1 3/16" diameter, projects: 30  
 mm - 1 -3/16"; spindle 7 x 7 mm



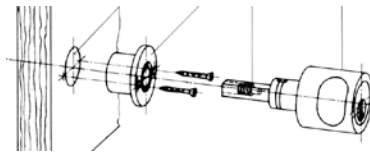
Knob-Turning #22.553



7 x 7 mm spindle

22.020 **Rim Lock 20 mm backset**  
 Case 35 x 55 mm  
 Follower for 7 x 7 mm spindle

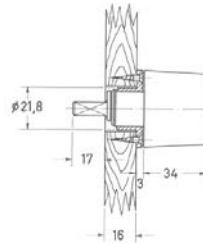
22.551 **Knob 3551 with cylinder key lock**  
 Knob zamac, cylinder brass,  
 rose black zamac  
 30 mm - 1 3/16" diameter, projects: 30  
 mm - 1 -3/16"; spindle 7 x 7 mm



Knob with key locking in rose #22.551



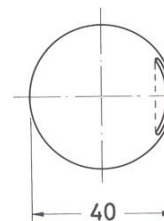
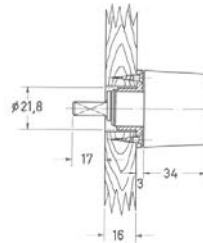
22.3501 **Knob 22.3501 with cylinder key lock**  
 Knob zamac, size: 40 Ø x 34 mm  
 Spindle 7 x 7 mm



Turning Knob with key #22.3501; size: 40 Ø x 34 mm



22.3505 **Knob 22.3505 turning**  
 Knob zamac, size: 40 Ø x 34 mm  
 Spindle 7 x 7 mm

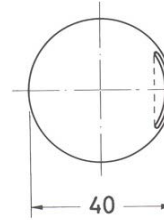
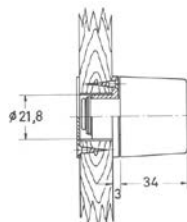


Turning Knob #22.3505; size: 40 Ø x 34 mm



22.030 **Rim Lock 22.030**  
 Case 49 x 55 mm

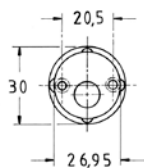
22.3503 **Knob 22.3503 pull**  
 Knob zamac, size: 40 Ø x 34 mm



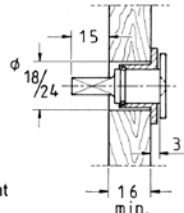
Knob, pull #22.3503; size: 40 Ø x 34 mm



Details on Rim Locks see page 2-2



available for different  
doorthicknesses



Base for custom knob; 30 mm Ø; #22.211.



Lock #22.020 - 20 mm backset

Rim lock 22.030 30 mm backset;





### RIM LOCK AND 3 POINT RIM LOCK FOR INTERIOR USE

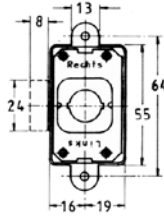
Rim Cabinet Rim lock, steel with zinc parts; nickel plated. Backset 16-20-25-30-40 mm.  
To open: turn knob 1/4 left or right. Minimum door thickness 16 mm ~ 5/8" Strike plate not included with lock. The way the cam is inserting determines left or right hand

Izerwaren  
Order  
numbers

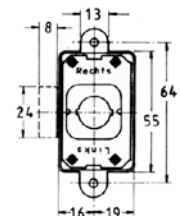
#### Rim lock Mechanisms

Nickel plated steel with zamac parts

- 22.016 16 mm backset; Case: 35 x 55 mm
- 22.020 20 mm backset; Case: 39 x 55 mm
- 22.025 25 mm backset; Case: 44 x 55 mm
- 22.030 30 mm backset; Case: 49 x 55 mm
- 22.040 40 mm backset; Case: 59 x 55 mm



Rim lock# 22.016  
backset 16 mm;

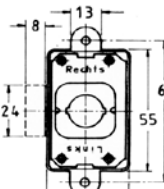


Espagnolette lock: #22.0161;  
Backset 16 mm

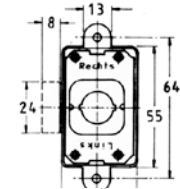
#### Rim lock Mechanisms for espagnolette bolts

Nickel plated steel with zamac parts

- 22.0161 16 mm backset; Case: 35 x 55 mm
- 23.0201 20 mm backset; Case: 39 x 55 mm
- 22.0251 25 mm backset; Case: 44 x 55 mm
- 22.0301 30 mm backset; Case: 49 x 55 mm
- 22.0401 40 mm backset; Case: 59 x 55 mm



Rim lock# 22.020  
backset 20 mm;

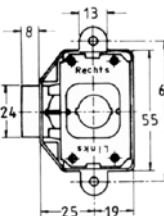


Espagnolette lock: #22.0201  
backset 20 mm

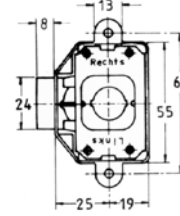
22.516 Cam / follower separate; 7x7 mm

23.557 **Keyway**, cylinder for 3/4" doors  
16.5 mm diameter, 23 mm long.  
Specify doorthickness for thicker doors!!

22.7423 **Skeleton key insert**  
Left or right operational



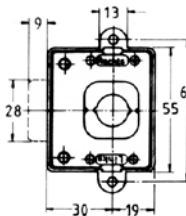
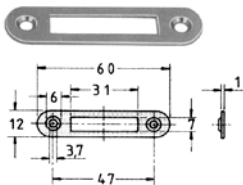
Rim lock# 22.025  
backset 25 mm;



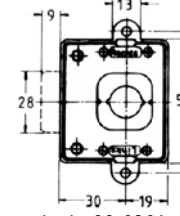
Espagnolette lock: 22.0251  
backset 25 mm

23.102 **Espagnolette bolt set complete(225102)**  
1 set: 2 rods x 1000 mm; 2 hooks; 2 pins; 2 guides. Rods nickel plated steel, other parts nickel plated die cast zinc.

23.052 **Strike plate flush (225FLU)**  
58 mm x 10 mm, nickel plated brass

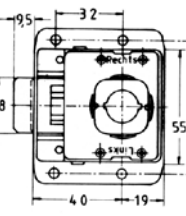
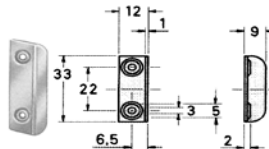


Rim lock# 22.030  
backset 30 mm;

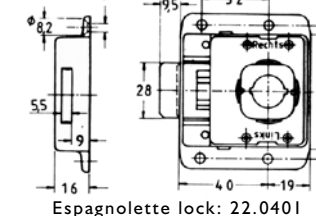


Espagnolette lock: 22.0301  
backset 30 mm;

23.072 **Strike plate angle (225ANG)**  
40 mm x 12 mm x 12 mm;  
Nickel plated steel



Rim lock# 22.040  
backset 40 mm;



Espagnolette lock: 22.0401  
backset 40 mm;

#### INSERTS / KNOBS:



Follower #22.516  
For 7 x 7 mm spindle



Key Cylinder#23.557  
Key cylinder for 3/4" thick doors



Skeleton key insert #22.7423  
fits all mechanisms



Knob #22.551  
Page 2-1-1 for details knobs





Izerwaren  
Order

- Cabinet Rim 2 point lock.
- Two point rim lock with round rods
- To open: turn knob 1/4 to left or right
- Specify left or right
- Minimum door thickness: 13/16 inch

**Rim 2 point lock mechanism  
Left hand**

22.300L

**Right hand**

22.300R

23.204 **SET: With round rod with 2 guides, 2 connectors  
2 rods of 500 mm long; 2 filler plates**

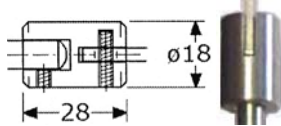
Lock Case 152 x 38 mm. Throw: 18 mm 3/4"  
Case stainless steel  
For 7 x 7 mm spindle; for front and/or back  
mounted turning knobs or levers  
with round stainless steel rods, guides and  
strikes

Specify right or left hand when ordering

62.816L **Guides; stainless steel for 8 mm rod**



23.300C **Rod Coupling, stainless steel**



23.300F **Filler Plate for mechanism, white plastic**

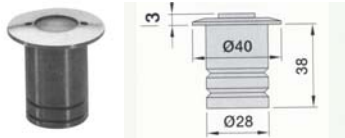


23.300D **Rods, 8 mm (5/16") diameter,  
stainless steel - specify length**

**Flush Turning lever:**



43.996 #43.996 flush turning lever  
Dimension: 70 x 70 x 14 mm  
or 2 3/4 x 2 3/4 inch  
Minimum hatch thickness: 21mm / 13/16 inch.  
Material: 316 stainless steel

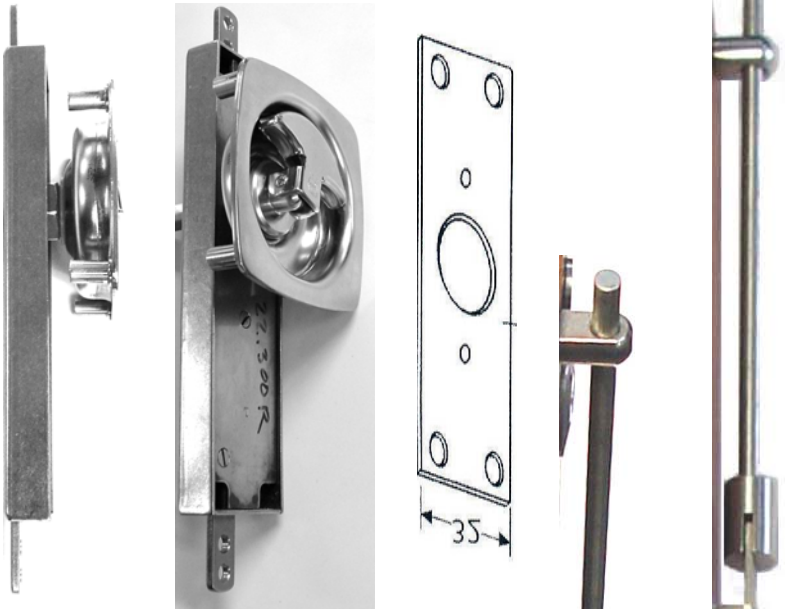


32.K42 **Closed Receiver Cup #32.K42.**  
Stainless steel house with moving nylon spring  
loaded insert. Spring: stainless steel.  
Dimension: 1 1/8" diameter x 1 1/2" high  
Top Plate: 1 9/16" x 1/8" thick

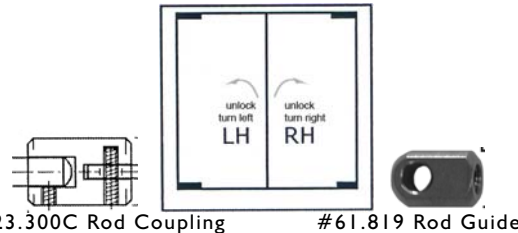


23.2424 **Open receiver cup #24.2424**  
11 long x 17 mm diameter body, top 20 mm diameter  
0.6690" x 0.7875" x 0.5" deep

**2 point rim lock for exterior and interior use  
316 stainless steel for 13/16" doors**



23.204 SET 2 point rim lock; stainless steel with round rods,  
connectors, guides, nylon filler plates  
lock has 7x7 mm square hole for flush turning lever (separate)



SET: #23.204; 316 stainless steel  
2 point lock with 2 round rod 8 x 500 mm;  
With 2 guides and 2 couplings and 2 filler plates.  
#23.300D: 2 Rods; 8 x 500 mm; 2 Guides #62.816L; 2 Coupling #23.300C  
Please Order Separate:  
Open Receiver Cup: #23.2424; or Closed Receiver Cup #32.K42 Flush  
Turning Lever #43.966



### Flush Spring Loaded Slide Latch with Catch and Shim

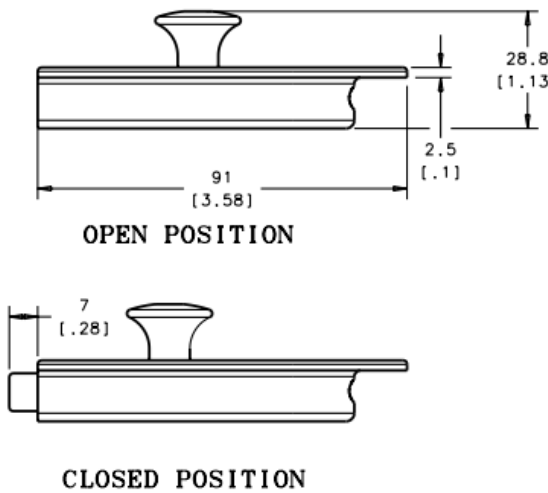


#22.3012; Stainless Steel Spring Loaded Slide Bolt Latch; Measures 3 1/2" long; x 2 3/16" Wide; x 1/2 "thick with stainless steel acceptor plate. Commonly Used on Transom Doors Slam action by latch bolt

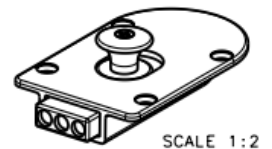
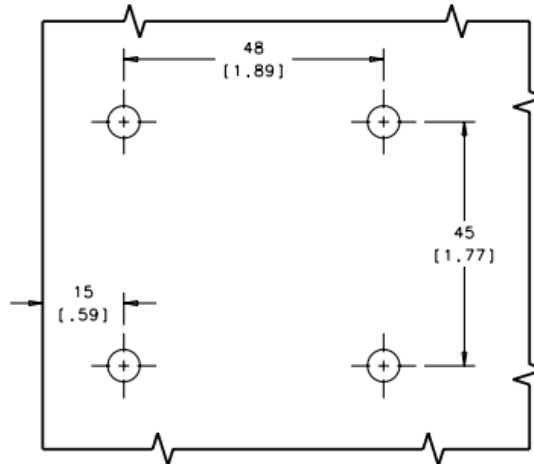
### Magnetic Transom Latch with Knob and Receiver Cup



#22.3070; Stainless Steel Spring Loaded Slide Bolt Latch; Measures 3 1/2" long; x 2 3/16" Wide; x 1/2 " thick with stainless steel acceptor plate. Commonly Used on Transom Doors. Magnetic action by dead bolt



#### PANEL PREPARATION





Izerwaren  
Order  
numbers

- 316 Stainless steel slam latch with lift ring
- sea water resistant
- slam action when closing
- strike included
- finish: Lift ring polished stainless steel 316; body and cam: satin finish

**SLAM LATCH WITH LIFT RING**

Polished 316 stainless steel



**43.F01 Slam latch for hatches**

Set: 1x latch, 1 mounting ring with screws; 1 strike  
 Diameter: 2 3/8"  
 Built in diameter: 2"  
 Material thickness: from 1/4" up to 13/16"  
 Spring loaded slam action on latch bolt

**43.F02 Slam latch for hatches, with locking with key**



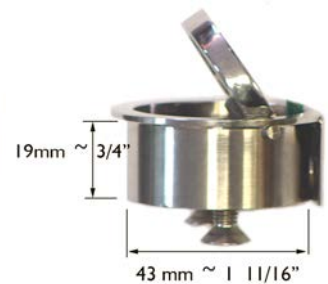
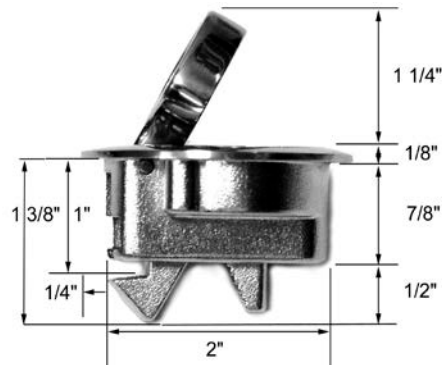
#43.F01 Slam latch



Mounting ring; 2 3/8" diameter

#43.F01

Installation body: Drill hole: 2" Ø



#43.505 Cabinet latch. Flush Slam Latch Mirror Polished 316 Stainless Steel Drill hole: 1 11/16" ~ 43 mm  
 Designed for 3/4 inch ~ 19 mm thick material. All parts high quality 316 stainless steel.

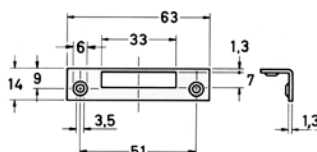
Strike plates:



#22.098S Brass nickel



#22.097I Brass nickel

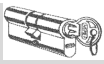


#22.099 Roller Bolt stainless steel



#23.012 brass nickel



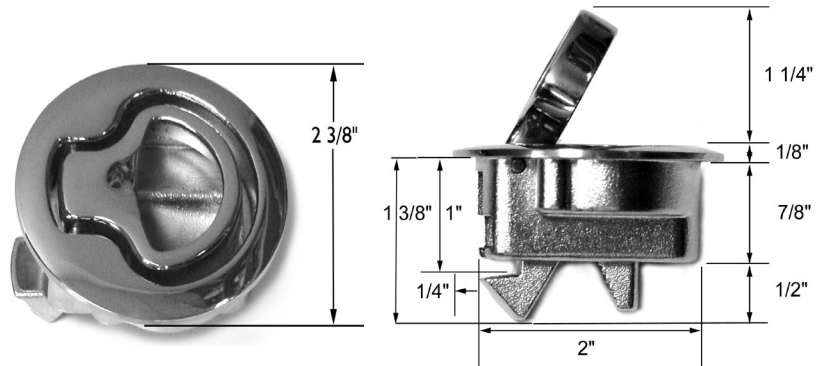


Izerwaren  
Order  
numbers

43.F01 **Slam latch for hatches**  
 Set: latch, mounting ring with screws; strike.  
 Diameter: 2 3/8"  
 Built in diameter: 2"  
 Material thickness: from 1/4" up to 13/16"  
 Spring loaded slam action on latch bolt  
 Polished Stainless steel 316;

43.F02 **Slam latch for hatch, locking with key**

**SLAM LATCH WITH LIFT RING**



**Slam latch #43.F01**

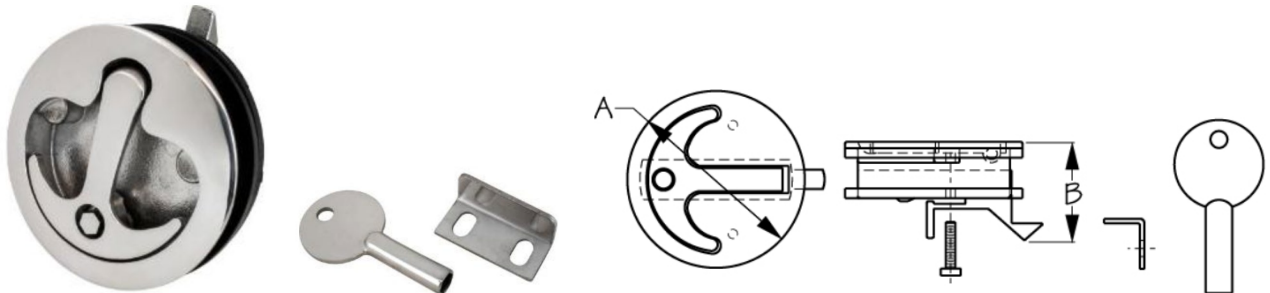
Installation body: **Drill hole: 2 1/16" Ø**

**SLAM LATCH WITH PULL LEVER ANCHOR STYLE**



#43.831S Flush Slam latch, Pull type. Anchor style lift ring; strike plate included. **Pull Out** to release.  
 Dimensions: 2 7/16" (A) x 1 1/2" (B) x 2 1/4" (C) x 3/4" (D) Door thickness: 3/4". 316 Stainless Steel Satin Finish

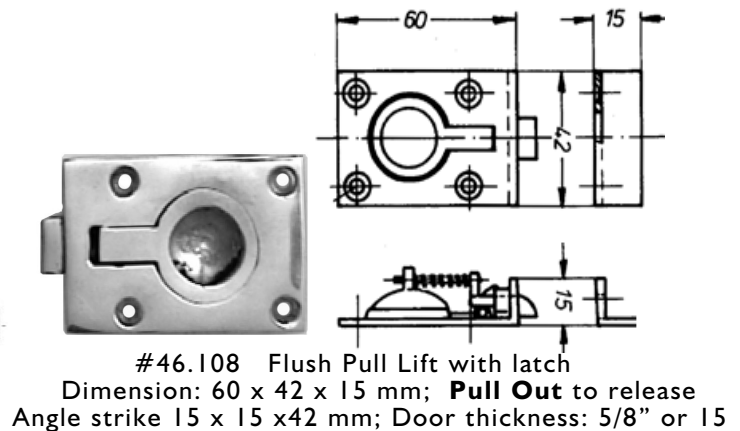
**SLAM LATCH WITH LIFT RING ANCHOR STYLE**



#43.972 Flush Slam latch with lift ring and angle strike plate, **locking**. **Pull Out** to release.  
 Dimensions: 2 3/8 diameter (A) x 1 11/16 deep (B) Hole size: 2 inch; Door thickness: 1/4 inch to 3/4 inch  
 316 Stainless Steel Mirror Polished Finish



#43.9714 Slam latch 2 7/16 diameter (A); drill hole 2 3/16 inch,  
 distance (B): 1 3/8" material up to 5/8" thick;  
 316 polished stainless steel  
 mm



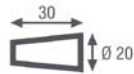
#46.108 Flush Pull Lift with latch  
 Dimension: 60 x 42 x 15 mm; **Pull Out** to release  
 Angle strike 15 x 15 x 42 mm; Door thickness: 5/8" or 15

Polished Chrome Plated Brass

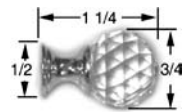




II.C2007

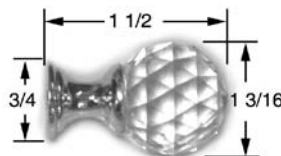


20 x 33 mm



II.C20

2000/20  
20 mm diameter

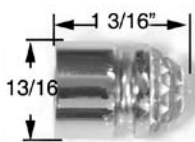


II.C30

2000/30  
30 mm diameter

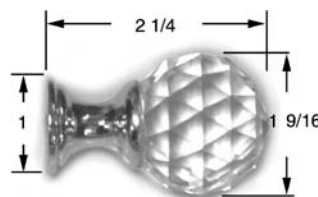


II.C22



18 x 35 mm

2003



II.C40

2000/40  
40 mm diameter



Sizes for Part numbers 2011, 2012, 2014, 2014, 2015, 2016: 20 mm diameter x 26 mm tall  
3/4" diameter x 1"



# Pull mechanism for Cabinet Doors (slam latch type)

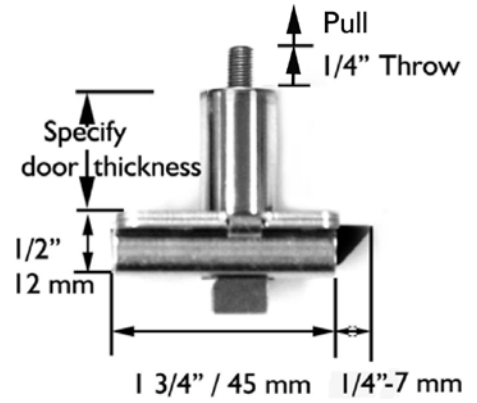
Izerwaren  
Order #

- Mechanism made of aluminum with brass parts.
- Silver or black finish
- Standard: 3/4 inch thick doors
- Backset: 19, 25, 30 mm or more
- Custom backset / door thickness available.

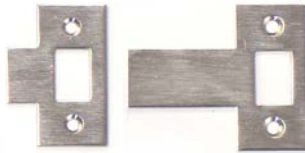
24.P20 Pull mechanism;  
backset 3/4" or 19 mm  
thread size: M 4 or 8/32"  
For 3/4" material thickness  
Aluminum Body, Latch

24.P25 Pull mechanism;  
backset 1" or 25 mm  
thread size: M 4 or 8/32"  
For 3/4" material thickness  
Aluminum Body, Latch

24.P30 Pull mechanism;  
backset 1 3/16" or 30 mm  
thread size: M 4  
For 3/4" material thickness  
Aluminum Body, Brass Latch



#24.P20: Pull mechanism  
backset 20 mm, 25 mm and 30 mm  
3/4"; 1" and 1 3/16"  
Thread size: M 4  
**KNOB NOT INCLUDED**  
**FOR ILLUSTRATION PURPOSES ONLY**



23.098S #23.098S short #22.98L long  
23.098L Strike for flush mounting  
Brass nickel plated



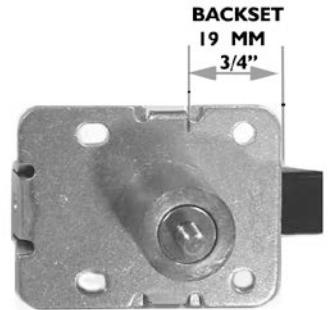
#23.0971  
23.0971 Strike for overlay doors  
Nickel plated brass



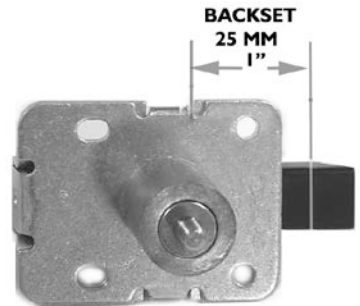
Pearl knob & rose #LZ.C0245  
See page 2-2-2-B for details



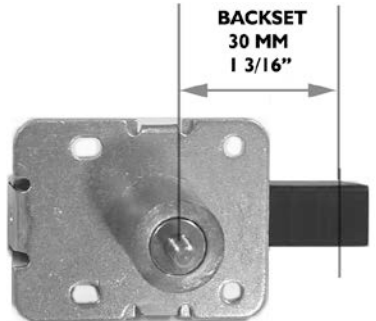
#29.020 Filler plate 6 mm 1/4" thick



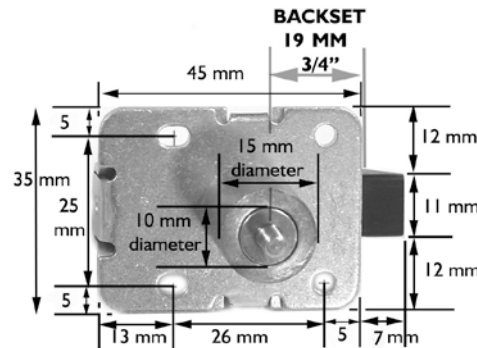
24.P20 Pull mechanism 19 mm backset ( 3/4" )



#24.P25 Pull mechanism 25 mm backset ( 1" )



#24.P30 Pull mechanism 30 mm backset ( 1 3/16" )



Mechanism shown with 19 mm ~ 3/4" backset



#23.099  
23.099 Roller bolt Strike plate,  
Stainless steel



**FOR SPECIAL APPLICATIONS**  
See page 2-2-5-D order numbers  
See page 2-2-5-C for layouts



Mechanism also available in black  
Knob shown: LZ.B0214 see page 2-2-5-B  
Order Knob separate





Izerwaren  
Order #

- Pull Mechanism made of aluminum with brass parts.
- Standard: 3/4 inch thick doors
- Backset: 3/4 inch or 1 inch
- Custom backset / thickness on special order.

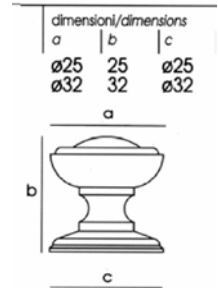
LZ.C0245 Pearl Knob with separate Pearl rose  
Thread size: M 4  
Brass material,  
Finish:  
Gold, Brass, Chrome, Nickel  
2 sizes Please specify



#LZ.C0245 Pearl knob with rose  
backset 25 mm diameter  
Thread size: M 4



#LZ.C0245 Pearl knob with rose



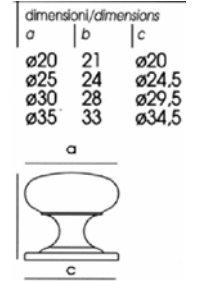
LZ.B0214 Knob with rose attached  
Thread size: M 4  
Brass material  
Finish:  
Gold, Brass, Chrome, Nickel  
4 sizes Please specify



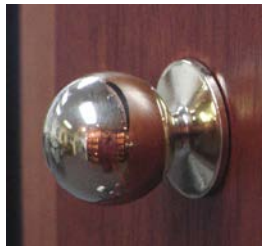
#LZ.B0214 Knob with rose (one piece)  
20 mm diameter  
Thread size: M 4



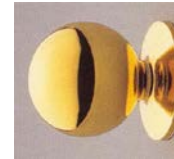
#LZ.B0214 Knob with rose (one piece)  
4 sizes



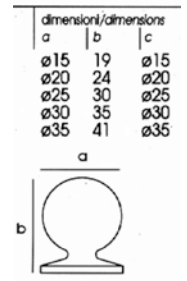
LZ.B0201 Round Knob with rose attached  
Thread size: M 4  
Brass material  
Finish:  
Gold, Brass, Chrome, Nickel  
5 sizes Please specify



#LZ.B0201 Knob with rose (one piece)  
25 mm diameter  
Thread size: M 4



#LZ.B0201 Knob with rose (one piece)  
5 sizes



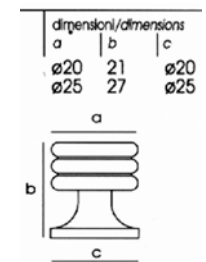
LZ.80203 Ribbed Knob with rose attached  
Thread size: M 4  
Brass material  
Finish:  
Gold, Brass, Chrome, Nickel  
5 sizes Please specify



#LZ.B0203 Knob with rose (one piece)  
25 mm diameter  
Thread size: M 4



#LZ.B0203 Knob with rose (one piece)  
2 sizes



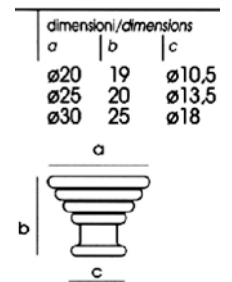
LZ.B0219 Ribbed Knob with rose attached  
Thread size: M 4  
Brass material  
Finish:  
Gold, Brass, Chrome, Nickel  
2 sizes Please specify



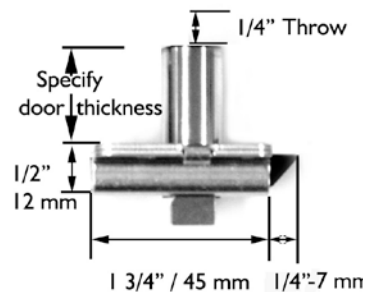
#LZ.B0219 Knob  
30 mm diameter  
Thread size: M 4



#LZ.B0219 Knob 3 sizes



24.P20 #24.P20 Pull mechanism  
Used with depicted knobs  
Works like a slam latch  
PAGE 2-2-5-A for details



Please see page 2-2-5-D for  
installation and  
ordering details

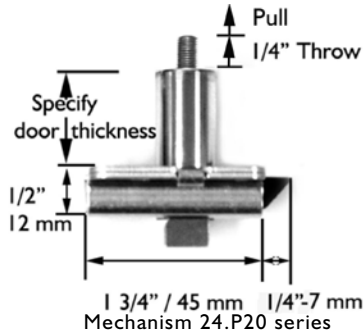




Backset 20 mm	Backset 25 mm	Backset 30 mm	<b>BACKSET MECHANISM IN RELATION TO DOOR LAY OUT</b>
<b>CUT HOLE FOR KNOB FROM EDGE OF DOOR AT:</b>			<b>DOOR THICKNESS (= B) ORDER FOR 3/4" INCH DOOR, OR 1" DOORS OR SPECIFY CUSTOM DOOR THICKNESS. UPTO 1 1/2" THICK.</b>
Distance = "A" 20 mm  Part no: 24.P20	Distance = "A" 25 mm  Part no: 24.P25	Distance = "A" 30 mm  Part no: 24.P30  up to 100 mm / 4 inch	<div style="text-align: center;"> </div> <p>Set up with flush doors and flush strike      Strike #22.098S short    #22.98L long</p>
= "A" 29 mm  Part no: 24.P20	= "A" 34 mm  Part no: 24.P25	= "A" 39 mm  Part no: 24.P30  up to 100 mm / 4 inch	<div style="text-align: center;"> </div> <p>Set up with overlay doors with angle strike for overlay doors      Angle Strike #23.097</p>
= "A" 28 mm  Part no: 24.P20 + filler plate	= "A" 33 mm  Part no: 24.P25 + filler plate	= "A" 38 mm  Part no: 24.P30 + filler plate  up to 100 mm / 4 inch	<div style="text-align: center;"> </div> <p>Setup with flush doors and roller bolt strike 1/4" filler plate required Roller Strike #23.099</p>
= "A" 35 mm  Part no: 24.P20 + filler plate	= "A" 40 mm  Part no: 24.P25 + filler plate	= "A" 45 mm  Part no: 24.P30 + filler plate  up to 100 mm / 4 inch	<div style="text-align: center;"> </div> <p>Set up with overlay doors and roller bolt strike 1/4" filler plate required Strike #23.099</p>



Knob #LZ.C0245




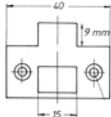

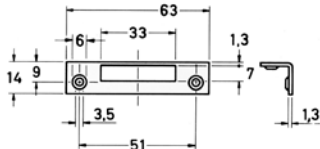


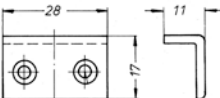

Aluminum body  
Knob #LZ.C0245



Black body  
Knob #LZ.B0214



Knob #LZ.B0214

Part no.	Pull Mechanism:	Backset:	Door thickness:	Specify Knob thread:
24.P2020	silver or black	3/4" 19 mm	3/4" - 19 mm	M4 or 8/32"
24.P2025	silver or black	3/4" 19 mm	1" - 25 mm	M4 or 8/32"
24.P2032	silver or black	3/4" 19 mm	1 1/4" - 32 mm	M4 or 8/32"
24.P2038	silver or black	3/4" 19 mm	1 1/2" - 38 mm	M4 or 8/32"
24.P2520	silver or black	1" 25 mm	3/4" 19 mm	M4 or 8/32"
24.P2525	silver or black	1" 25 mm	1" - 25 mm	M4 or 8/32"
24.P2532	silver or black	1" 25 mm	1 1/4" - 32 mm	M4 or 8/32"
24.P2538	silver or black	1" 25 mm	1 1/2" - 38 mm	M4 or 8/32"
24.P3020	silver or black	1 3/16" 30 mm	3/4" 19 mm	M4 or 8/32"
24.P3025	silver or black	1 3/16" 30 mm	1" - 25 mm	M4 or 8/32"
24.P3032	silver or black	1 3/16" 30 mm	1 1/4" - 32 mm	M4 or 8/32"
24.P3038	silver or black	1 3/16" 30 mm	1 1/2" - 38 mm	M4 or 8/32"
24.P00	silver or black	Specify Backset (100 mm)	Specify door thickness	M4 or 8/32"
29.020	1/4" thick filler plate	Use with roller bolt strike #22.099	Use with lay out #3 and #4	
29.0001	1 mm thick filler plate	Use for shimming	When needed	
22.098S	Strike plate flush short	Brushed nickel over brass	Use with Lay out # 1	Lip 9 mm long 
22.098L	Strike plate flush Long	Brushed nickel over brass	Use with Lay out # 1	Lip 30 mm 
22.0971	Strike plate angle For overlay doors	Brushed nickel over brass	Use with Lay out # 1 	
22.099	Roller bolt strike	Brushed stainless steel	Use with lay out #3 and #4 Size roller bolt: 1 3/16 x 3/8" 30 mm x 10 mm	
23.012	Strike plate angle	Brushed nickel over brass	Use with layout #2; #3 and #4 	



Izerwaren  
Order  
numbers

**Push Slam latch**

Footprint Case 45 x 35 mm  
Throw 8 mm or 5/16 inch black coated aluminum  
Available in backsets from 3/4" to 7 1/2"  
Available for door thickness from 3/4" to 1 1/2"  
Available in custom finish (push knob and shaft)

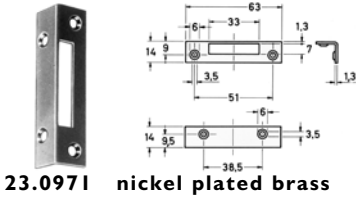
**Strike plate: - lip 3/8" or lip 1 3/16"**

22.098S  
22.098L



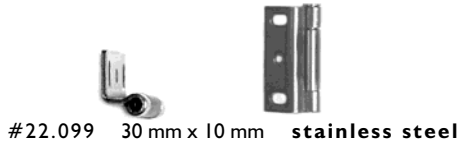
23.0971

**Strike for overlay doors:**



22.099

**Roller bolt strike:**



Sample installation with cabinet pull:



24.080

#24.080 Cabinet pull; 92 x 37 x 22 mm  
3 5/8" x 1 1/2" x 7/8"  
Chrome plated

29.2020

Showing with push latch #29.2020

24.4142

Cabinet pull #24.4142; 78 x 30 x 20 mm high  
3" x 1" x 3/4"  
Threaded for back mounting with metal  
screws at 2 1/2" distance

**PLEASE CHECK FOR  
INSTALLATION GUIDE ON PAGE 2-2-5-J**

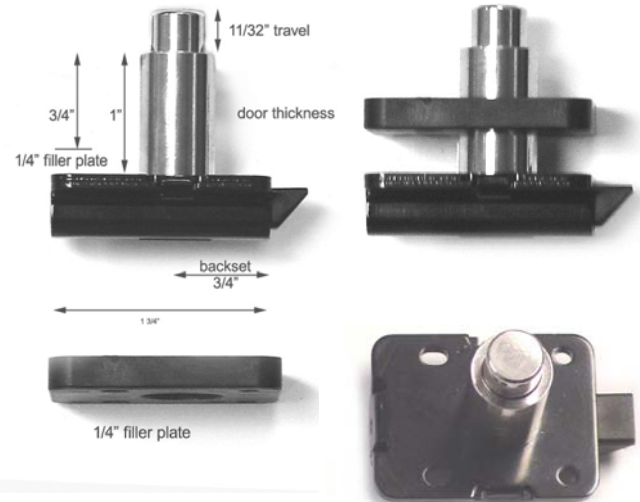
24.081



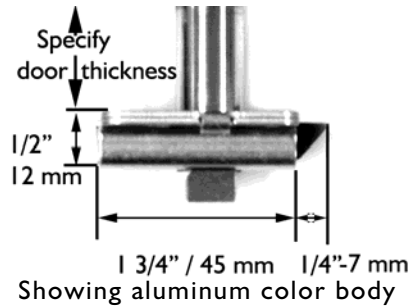
24.080

#24.080 Cabinet pull 92 x 37 x 22 mm  
Polished chrome plated brass

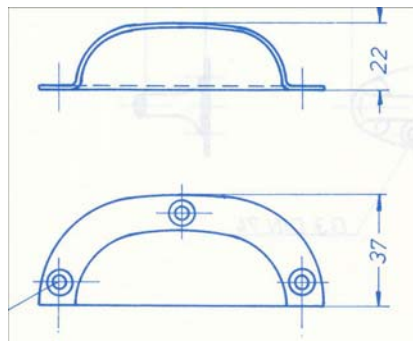
**ALUMINUM MECHANISM, SEAWATER RESISTANT  
BLACK COATED, DELRON PARTS**



Mechanism #29.2025 Shown. For 3/4" inch doors  
Without filler plate for 1" thick door



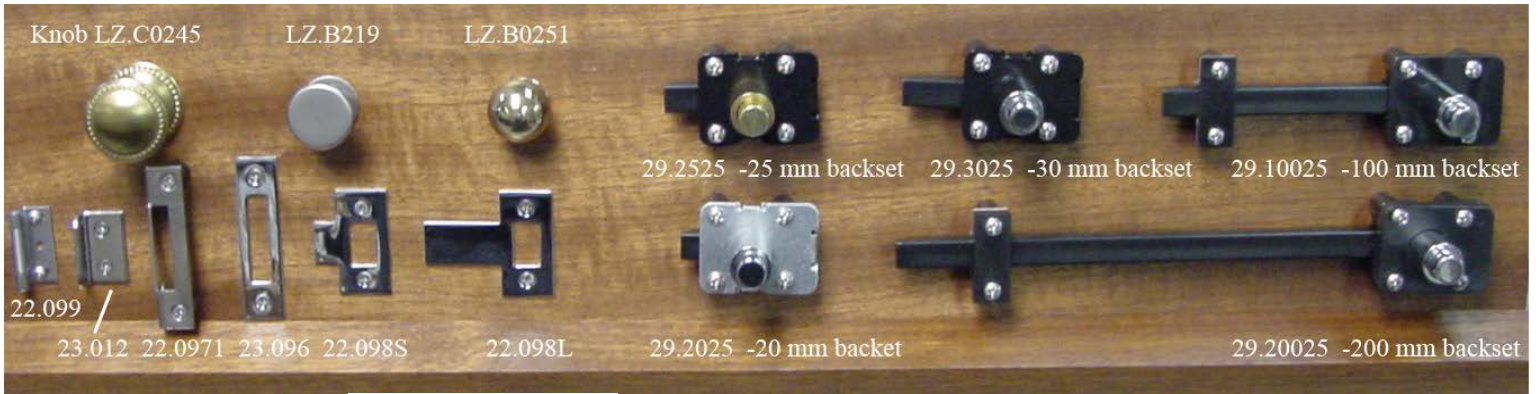
Available with different backset for different door  
thickness  
aluminum mechanism, seawater resistant  
black coated or aluminum color  
Delron parts  
Push Button and Shaft can be ordered with custom finish



#24.081 Cabinet pull 92 x 37 x 22 mm  
Polished brass (no picture showing)

Actual model design may vary





Picture: #24.1297 Pull; #29.2020 series Push latch Black body #29.2025 Body + filler plate 1/4" thick;

Aluminum color body #29.2025

PUSH MECHANISM Part no.	Body Finish	Backset:	Door thickness:	Specify FINISH Button & Sleeve	Finish Code
29.2020	silver or black	3/4" - 19 mm	3/4" - 19 mm	BRASS POLISHED	106
29.2025	silver or black	3/4" - 19 mm	1" - 25 mm	BRASS BRUSHED	506
29.2032	silver or black	3/4" - 19 mm	1 1/4" - 32 mm	CHROME POLISHED	266
29.2038	silver or black	3/4" - 9 mm	1 1/2" - 38 mm	CHROME BRUSHED	566
29.2520	silver or black	1" - 25 mm	3/4" 19 mm	NICKEL POLISHED	256
29.2525	silver or black	1" - 25 mm	1" - 25 mm	NICKEL BRUSHED	556
29.2532	silver or black	1" - 25 mm	1 1/4" - 32 mm	GOLD POLISHED	286
29.2538	silver or black	1" - 25 mm	1 1/2" - 38 mm	GOLD BRUSHED	586
29.3020	silver or black	1 3/16" - 30 mm	3/4" 19 mm	DARK BRONZE	546
29.3025	silver or black	1 3/16" - 30 mm	1" - 25 mm		
29.3032	silver or black	1 3/16" - 30 mm	1 1/4" - 32 mm		
29.3038	silver or black	1 3/16" - 30 mm	1 1/2" - 38 mm		
29.0000	silver or black	Specify Backset	Specify door thickness	Please specify	
24.020	1/4" filler plate	Use with roller bolt strike #22.099	6 X 35 X 45 mm		
24.0001	1 mm filler plate	For shimming out body	1 X 35 X 45 mm		
24.0002	1/4" spacer for guide	For shimming latch bolt			
24.0003	1 mm spacer for guide	For shimming latch bolt			
24.0004	Guide for long bolt	aluminum			
24.0005	1/4" spacer for knob	For shimming knob	6 X 10 mm diameter		
24.0006	Threaded rods M4	Stainless steel			
22.098S	Strike plate flush short	Brushed nickel over brass	 Lip 9 mm long		
22.098L	Strike plate flush Long	Brushed nickel over brass	 Lip 30 mm		
22.0971	Strike plate angle For overlay doors	Brushed nickel over brass	63 x 14 x 10 mm		
22.096	Strike plate No lip	Brushed nickel over brass	63 x 13 mm		
22.099	Roller bolt strike	Brushed stainless steel	30 mm x 10 mm		
23.012	Strike plate angle	Brushed nickel over brass			





Backset t 20 mm	Backset 25 mm	Backset 30 mm	<b>BACKSET MECHANISM IN RELATION TO DOOR LAY OUT</b>
<b>CUT HOLE FOR KNOB FROM EDGE OF DOOR AT:</b>			<b>DOOR THICKNESS (= B) ORDER FOR 3/4" INCH DOOR, OR 1" DOORS OR SPECIFY CUSTOM DOOR THICKNESS. UPTO 1 1/2" THICK.</b>
<b>20mm</b>  Part no. 29.2020	<b>25 mm</b>  Part no. 29.2520	<b>30 mm</b>  Part no. 29.3020  Up to 100 mm / 7 inch	<b>Layout 1</b>  doorthickness "B" distance "A" Flush strike Set up with flush doors and flush strike Strike #22.098S short #22.98L long
<b>31mm</b>  Part no. 29.2020	<b>36 mm</b>  Part no. 29.2520	<b>41 mm</b>  Part no. 29.3020  Up to 100 mm / 7 inch	<b>Layout 2</b>  doorthickness "B" distance "A" angle strike for overlay doors Set up with overlay doors with angle strike for overlay doors Angle Strike #23.097
<b>28mm</b>  Part no. 29.2020	<b>33 mm</b>  Part no. 29.2520	<b>38 mm</b>  Part no. 29.3020  Up to 100 mm / 7 inch	<b>Layout 3</b>  doorthickness "B" FILLER PLATE 1/4" Distance "A" Roller Bolt strike Set up with flush doors and roller bolt strike 1/4" filler plate required Roller Strike #23.099
<b>37mm</b>  Part no. 29.2020	<b>42 mm</b>  Part no. 29.2520	<b>47 mm</b>  Part no. 29.3020  Up to 100 mm / 7 inch	<b>Layout 4</b>  doorthickness "B" FILLER PLATE 1/4" distance "A" Roller Bolt strike Set up with overlay doors and roller bolt strike 1/4" filler plate required Strike #23.099



Izerwaren  
Order  
numbers

- Cabinet Rim lock, backset 25 mm - 1"
- Minimum door thickness 19 mm ~ 3/4"
- Strike plate not included with lock
- Both handed

**FOR 3/4" THICK DOORS**

**SET Pushbutton lock:** Mechanism + button + ring + angle strike. Polished chrome:

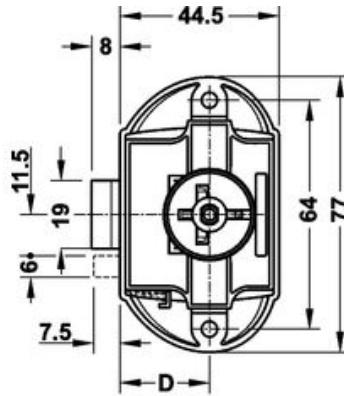


**SET # 23.191.. Mechanism, button, ring, angle strike plate**

25.191....

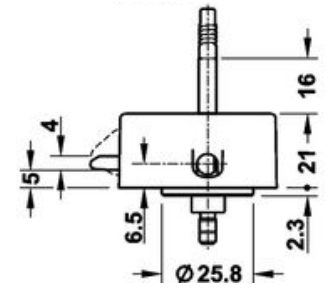
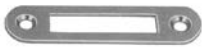
25.191.106	lacquered brass
25.191.266	chromeplated
25.191.506	lacq. brush. brass
25.191.566	brushed chrome
25.191.556	brushed nickel
25.191.286	polished gold
25.191.586	brushed gold
25.191.508	brushed stainless
25.191.308	polished stainless

23.225 **Push Button Mechanism separately**  
Case: 78 mm x 45 mm x 20 mm thick  
Nickel plated plastic with zamac parts  
For use with push-button and push-button-ring.



#23.225 Push button mechanism;  
backset 1"/25 mm Throw Bolt: 3/8"

23.052 **Strike plate flush (225FLU)**  
58 mm x 10 mm, nickel plated brass



#23.225B:  
Allows for buttons on both sides

23.072 **Strike plate angle, steel (225ANG)**  
40 mm x 12 mm x 12 mm; Nickel plated steel

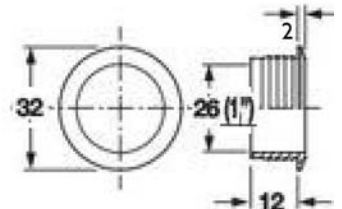


25.125.266 **Push Button for thin wall ring**  
22.5 mm Ø x 19 mm M6 thread  
Chrome plated brass



Depicted: Button & Ring # 25.125.266 Button polished chrome  
#25.125.308 button polished stainless steel  
#25.135.308 ring 26 mm polished stainless steel.

25.135.266 **Ring for Push button set**  
26 mm Ø OD x 12 mm  
(Make hole of 1" with drill bit or router)  
Chrome plated brass



#25.135.266 Ring - Thin Wall Chrome 26 mm / 1 inch diameter

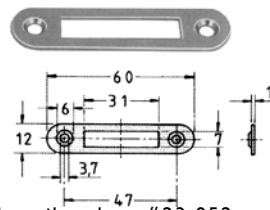
23.000 **Fostner bit 1" mm diameter**  
for drilling holes for rings in wood panels



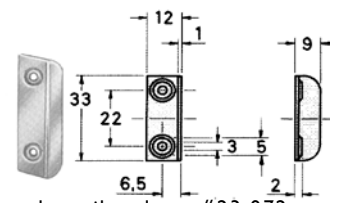
23.015 **Extention 5/8" 1 1/2" thick door**  
Screws into button



23.067 **Filler plate -1 mm thick**  
3 filler plates / shims provid approx. 1/8"



Flush strike plate #23.052



angle strike plate #23.072

(choose angle strike or flush strike)

**Please Specify Finish Button and Ring**



Izerwaren  
Order  
numbers

3 point locking mechanism for light cabinet doors  
up to 6' 7" high  
Can be used as 2 point locking (up and down)  
Can be used as 1 point locking (up or down)

23.225 **Push Button Mechanism** (details page 2-3)

23.002 **Espagnolette bolt sets**

1 set:  
2 rods of 6 mm x 1000 mm  
2 hooks  
2 pins  
2 guides  
Rods nickel plated steel, other parts nickel plated  
dycast.

**PARTS SEPARATE:**

23.052 **Strike flush** (225FLU)

58 mm x 10 mm, nickel plated brass

23.072 **Strike plate angle** (225ANG)

40 mm x 12 mm x 12 mm; Nickel plated steel

23.012 **Strike plate angle** (226ANG)

30 mm x 13 mm x 8 mm; nickel plated **brass**

23.015 **Extension Brass** (225EX)

15 mm (5/8") To allow for door thickness of approx.  
1 1/4" Use lock-tite to arrest button

23.005 **Extension Brass** (228EX)

5 mm To allow for door thickness 24 mm  
(Hollow core doors + veneer).

23.008 **Extension Brass** (227EX)

8 mm To allow for door thickness of 27 mm  
(for drawers with hollow core faces + veneer)

23.067 **Filler plates clear plastic**

1 mm thick filler plates; use when cabinet door  
thickness is less then 19 mm ~ 3/4".

23.415 **Hooks**, set of two, mirror image,  
specify top or bottom

23.3151 **Guides for hooks**, nickel plated diecast

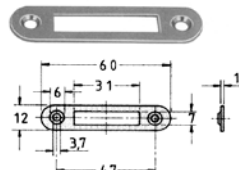
23.065 **Rods** 6 or 8 mm diameter, 1000 mm long, steel  
nickel plated. Other sizes on request available

23.011 **Guides for rod**

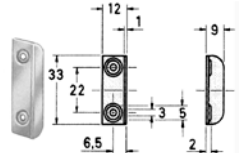
guides for rod 6 mm diameter, nickel plated diecast

23.030 **Strike pin on plate** (225PIN)

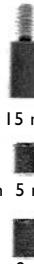
to arrest hooks, to be mounted on door sill;  
adjustable.



#23.052 Strike plate flush for lock



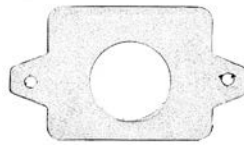
#23.072 Strike plate angle for lock



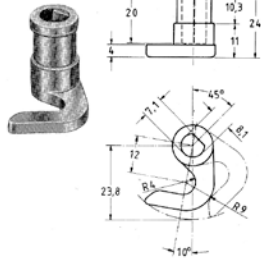
#23.015 Extension 15 mm - 5/8 with thread

#23.005 Extension 5 mm - glue in button

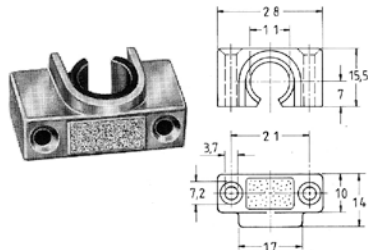
#23.008 Extension 8 mm glue in button



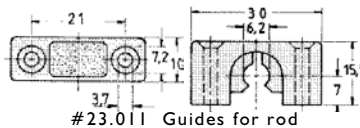
#23.067 Filler plate 1 mm



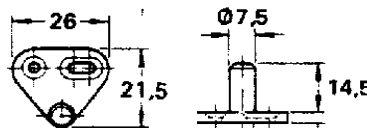
#23.415 Hooks, set of two



#23.3151 Guides for hooks



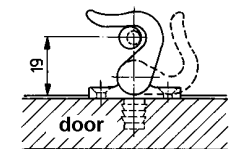
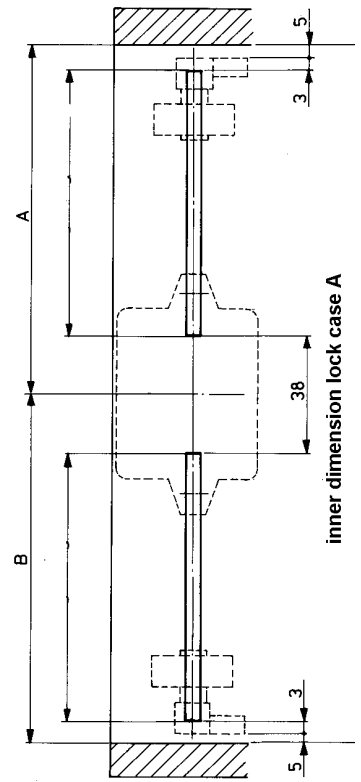
#23.011 Guides for rod



#23.030 Strike pin on plate for hooks



Three point lock with  
espagnolette bolts and hooks  
top and/or bottom locking



Espagnolette bolts diagram  
For up and down or  
up or down locking



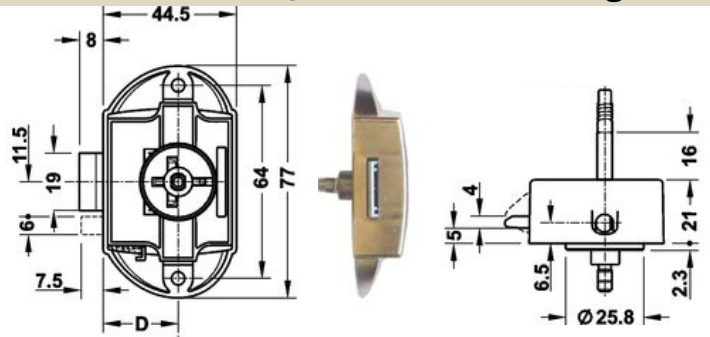


Izerwaren  
Order  
numbers

- Cabinet Rim lock, backset 25 mm - 1"
- Minimum door thickness 19 mm ~ 3/4"
- Strike plate not included with lock
- Both handed

**FOR 3/4" AND 5/8" THICK DOORS;  
PLASTIC BUTTON AND RING**

23.225 **Push Button Mechanism (22522)**  
Case: 78 mm x 45 mm x 20 mm thick  
Nickel plated plastic with zamac parts  
For use with push-button and push-button-ring.



#23.225 Push button mechanism, backset 1" Option: 2 buttons

23.052 **Strike plate flush (225FLU)**  
58 mm x 10 mm, nickel plated brass

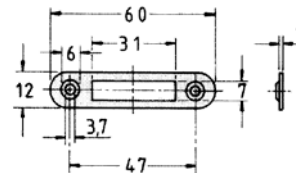
23.072 **Strike plate angle (225ANG)**  
40 mm x 12 mm x 12 mm; Nickel plated steel

23.012 **Strike plate angle (226ANG)**  
30 mm x 13 mm x 8 mm; nickel plated brass

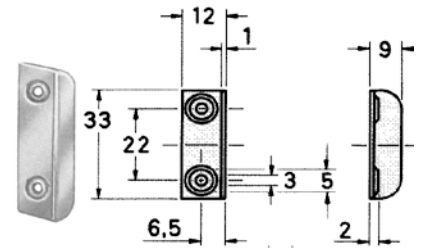
23.933 **Push button Plastic Polished Nickel**  
22.5 mm x 19 mm x M6 (13/16" x 3/4")

23.934 **Push button Plastic Satin Nickel**  
22.5 mm x 19 mm x M6 (13/16" x 3/4")

23.935 **Push button Plastic Polished Brass Color**  
22.5 mm x 19 mm x M6 (13/16" x 3/4")



#23.052 Flush strike plate



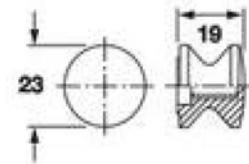
#23.072 angle strike plate

**For Material 3/4" thick:**

23.945 **Ring Plastic Polished Nickel**  
26 mm x 18 mm (1 3/16" x 23/32")  
(Make hole of 1 3/16" with drill bit or router)  
for 3/4" doors: thin ring

23.946 **Ring Plastic Satin Nickel**  
26 mm x 18 mm (1 3/16" x 23/32")  
(Make hole of 1 3/16" with drill bit or router)  
for 3/4" doors: thin ring

23.947 **Ring Plastic Polished Brass (color)**  
26 mm x 18 mm (1 3/16" x 23/32")  
(Make hole of 1 3/16" with drill bit or router)  
for 3/4" doors: thin ring



Plastic Button for thin wall ring

**For Material 5/8" thick: (plastic only)**

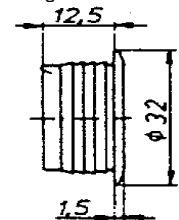
23.941 **Ring Plastic Polished Nickel**  
26 mm x 18 mm (1 3/16" x 23/32")  
(Make hole of 1 3/16" with drill bit or router)  
for 5/8" doors: thick ring

23.942 **Ring Plastic Satin Nickel**  
26 mm x 18 mm (1 3/16" x 23/32")  
(Make hole of 1 3/16" with drill bit or router)  
for 5/8" doors: thick ring

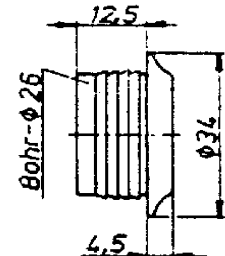
23.943 **Ring Plastic Polished Brass (color)**  
26 mm x 18 mm (1 3/16" x 23/32")  
(Make hole of 1 3/16" with drill bit or router)  
for 5/8" doors: thick ring



Plastic Ring for 3/4" thick material; drill hole 26 mm diameter



Plastic Ring for 5/8" thick material; drill hole 26 mm diameter



23.000 **Fostner bit 1" mm diameter**  
for drilling holes for thin rings in wood panels

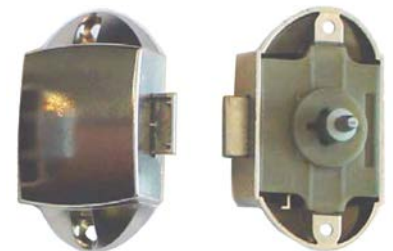


23.015 **Extention 5/8" | 1/2" thick doors**  
Screws into button



extension #23.015 filler plate #23.067

23.067 **Filler plate -1 mm thick**  
3 filler plates provide aprox. 1/8" filling



mechanism #23.225

**FOR BRASS BUTTONS PLEASE SEE PAGE 2-3**



Izerwaren  
Order  
numbers

- Cabinet Rim lock, backset 15 mm - "
- Minimum door thickness 16 mm ~ "
- Both handed

**CUSTOM ORDERS ONLY MINIMUM QUANTITY 50X**

24.2259 **SET: Mechanism, Button, Ring, Strike**  
**Backset: 15 mm or 5/8"**  
**Door thickness: 16 mm or 22/32"**

24.225 **Push Button Mechanism**  
 Case: 78 mm x 45 mm x 20 mm thick  
 Nickel plated plastic with zamac parts  
 For use with push-button and push-button-ring.

24.125 **Push Button Brass**  
 22 mm x 20 mm x M6 (7/8" x 3/4" x M6)  
 Specify finish, see page 2-3 in stock

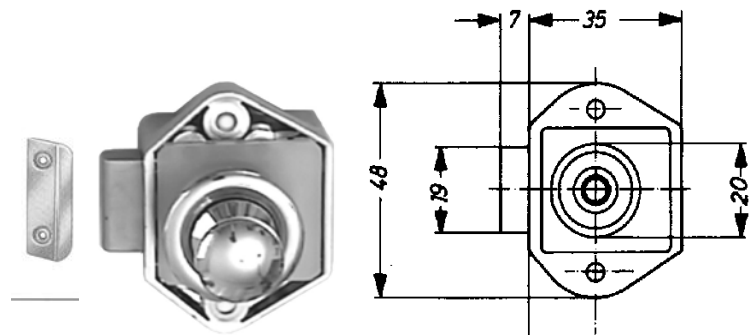
24.435 **Ring Brass "ANGLE"**  
 20 mm x 9 mm (3/4" x 3/8")  
 (Make hole of 20 mm / 25/32" with drill bit or router)  
 Specify finish, see page 2-3

24.971 **Push Button Plastic, satin nickel**  
 16 mm x 29 mm x M6 (5/8" x 3/4" x M6)  
 Specify finish, see page 2-3

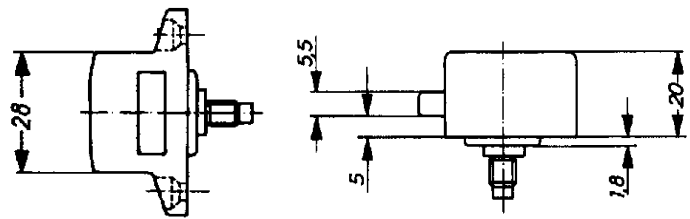
24.973 **Push button Ring plastic, satin nickel**  
 22 mm x 9 mm (7/8" x 3/8")  
 (Make hole of 7/8" with drill bit or router)  
 Specify finish, see page 2-3

23.974 **Push Button plastic brass color**  
 16 mm x 29 mm x M6 (5/8" x 3/4" x M6)  
 Specify finish, see page 2-3

23.975 **Push button Ring plastic, brass color**  
 30 mm x 18 mm (1 3/16" x 23/32")  
 (Make hole of 1 3/16" with drill bit or router)  
 Specify finish, see page 2-3

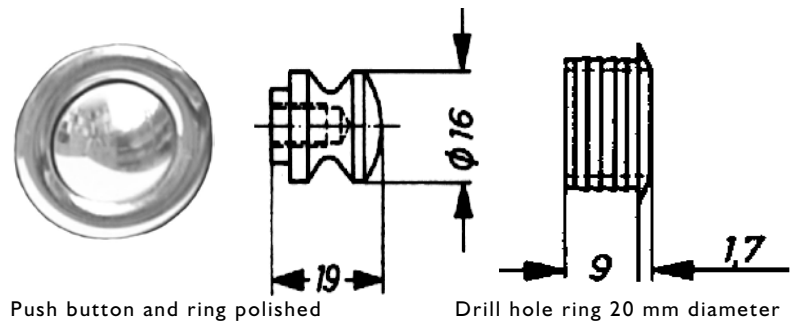
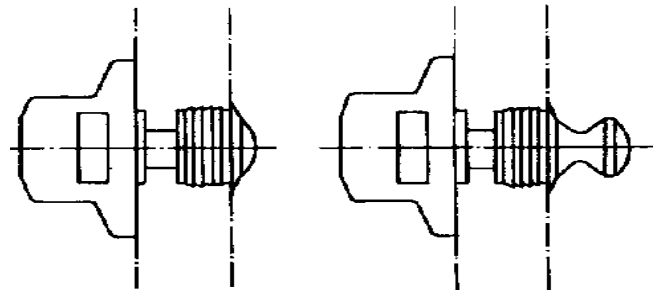


#24.2259 Mechanism set shown with button and ring and angle strike



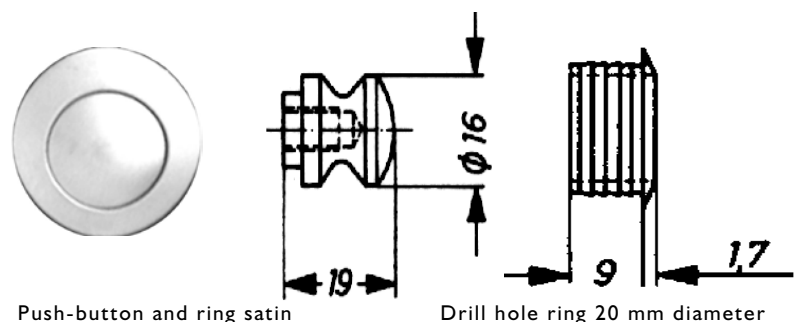
closed

open



Push button and ring polished

Drill hole ring 20 mm diameter



Push-button and ring satin

Drill hole ring 20 mm diameter





# ORDER SET Mechanism WITH BIG ROUND BUTTON & SQUARE RING

## 2-3-5 C-A

"A SET MAKES THE INSTALLATION A SUCCESS"

SET CONSIST OF THE FOLLOWING PARTS:

### ORDER SETS:

#### Polished Brass Lacquered button & square ring

25.2125: 25 mm backset mechanism with installation kit

#### Polished Gold Plated button & square ring

25.21251: 25 mm backset mechanism with installation kit

#### Polished Chrome Plated button & square ring

25.21252: 25 mm backset mechanism with installation kit

#### Satin Chrome button & square ring

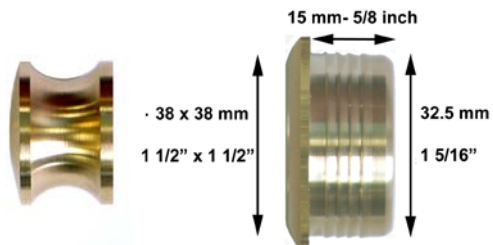
25.21253: 25 mm backset mechanism with installation kit

#### Polished Nickel button & square ring

25.21254: 25 mm backset mechanism with installation kit

#### Satin Nickel button & square ring

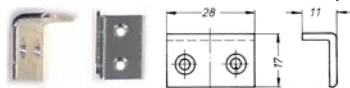
25.21255: 25 mm backset mechanism with installation kit



Button diameter: 28.2 mm or 1 1/8"

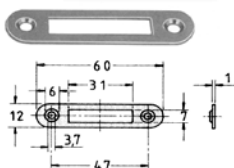
#### Strike plate, angle (included)

28 mm x 17 mm x 11 mm; nickel plated brass



#### Strike plate flush (order separate)

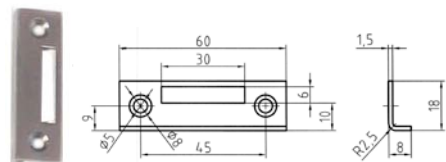
60 mm x 12 mm, nickel plated brass



23.052

#### Strike for overlay doors (separate)

Stainless steel 60 x 18 x 8 mm



23.097

#### EXTENSIONS:



#23.015  
thread 15 mm



#23.008  
5/8 8 mm



#23.005  
5 mm

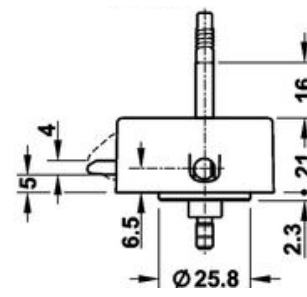
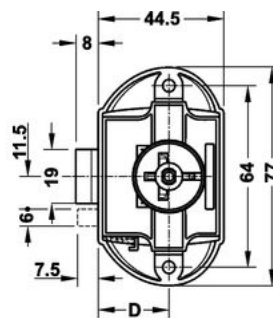


Button #24.812  
Satin Nickel finish

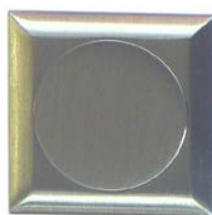
Ring #24.813  
Satin Nickel finish

Mechanism:  
#23.225  
25 mm backset

Strike angle:  
#23.012



MECHANISM D=1" BACKSET; DOORTHICKNESS 3/4".



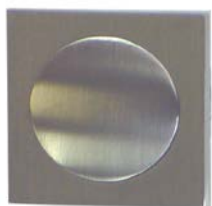
#24.811 + #24.813  
Button flat + ring curved



#24.821 + #24.813  
Button round + ring curved



#24.831 + #24.813  
Button stepped + ring curved



#24.821 + #24.812  
Button round + ring flat



#24.811 + #24.812  
Button flat + ring flat



#24.831 + #24.812  
Button stepped + ring flat

Pictures: Finish: Satin Nickel Material: Brass





"A SET MAKES THE INSTALLATION A SUCCESS"

SET CONSIST OF THE FOLLOWING PARTS:

**ORDER SETS:**

- With lacquered brass oval button & ring**  
24.21251: 25 mm backset mechanism with installation kit
- With polished chrome oval button & ring**  
24.21252: 25 mm backset mechanism with installation kit
- With satin chrome oval button & ring**  
24.21253: 25 mm backset mechanism with installation kit
- With polished nickel oval button & ring**  
24.21254: 25 mm backset mechanism with installation kit
- With satin nickel oval button & ring**  
24.21255: 25 mm backset mechanism with installation kit



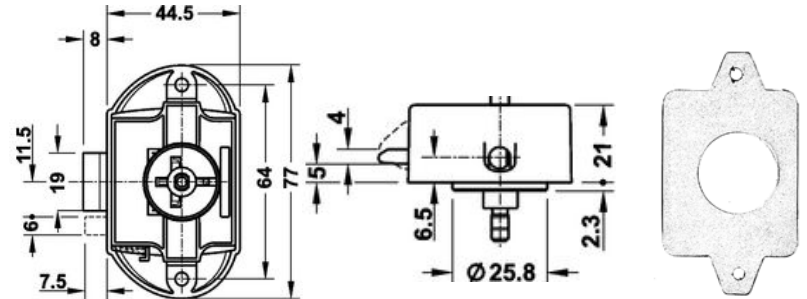
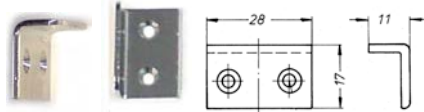
Button #24.121  
Oval brass

Ring #24.122  
Oval brass

Mechanism:  
#23.225  
25 mm backset

Strike #23.012

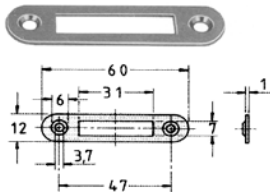
23.012 **Strike plate angle (included)**  
28 mm x 17 mm x 11 mm; nickel plated brass



#23.225 mechanism, plastic nickel coated

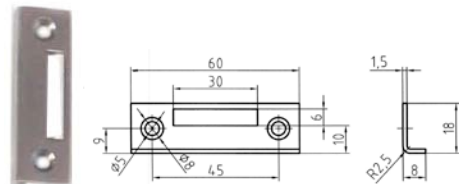
#23.067 Filler plate 1 mm

23.052 **Strike plate flush (order separate)**  
60 mm x 12 mm, nickel plated brass



**MECHANISM D = 1" BACKSET; DOOR THICKNESS 3/4".**

23.097 **Strike for overlay doors (separate)**  
Stainless steel 60 x 18 x 8 mm

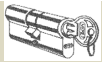


**OVAL BUTTON AND RING INCLUDED IN SET:**



**EXTENSIONS:**

- #23.015 threaded 15 mm
- #23.008 5/8 8 mm
- #23.005 5 mm



Izerwaren  
Order  
numbers

- Cabinet Rim lock, backset 15 mm - "
- Minimum door thickness 16 mm ~ "
- Both handed

**CUSTOM ORDERS ONLY MINIMUM QUANTITY 50X**

24.2259 **SET: Mechanism, Button, Ring, Strike**  
**Backset: 15 mm or 5/8"**  
**Door thickness: 16 mm or 22/32"**

24.225 **Push Button Mechanism**  
 Case: 78 mm x 45 mm x 20 mm thick  
 Nickel plated plastic with zamac parts  
 For use with push-button and push-button-ring.

24.125 **Push Button Brass**  
 22 mm x 20 mm x M6 (7/8" x 3/4" x M6)  
 Specify finish, see page 2-3 in stock

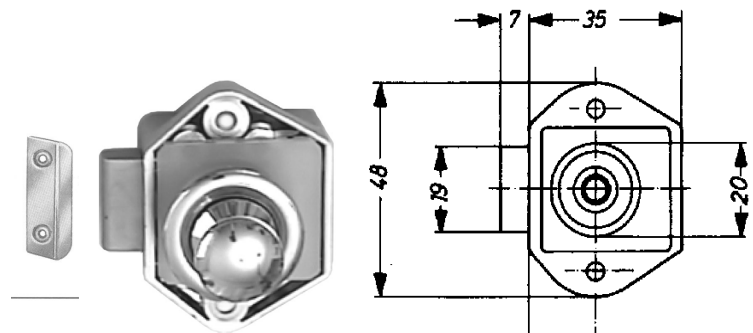
24.435 **Ring Brass "ANGLE"**  
 20 mm x 9 mm (3/4" x 3/8")  
 (Make hole of 20 mm / 25/32" with drill bit or router)  
 Specify finish, see page 2-3

24.971 **Push Button Plastic, satin nickel**  
 16 mm x 29 mm x M6 (5/8" x 3/4" x M6)  
 Specify finish, see page 2-3

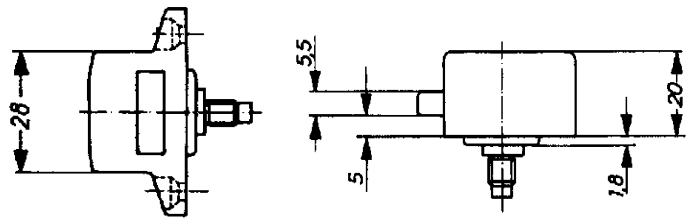
24.973 **Push button Ring plastic, satin nickel**  
 22 mm x 9 mm (7/8" x 3/8")  
 (Make hole of 7/8" with drill bit or router)  
 Specify finish, see page 2-3

23.974 **Push Button plastic brass color**  
 16 mm x 29 mm x M6 (5/8" x 3/4" x M6)  
 Specify finish, see page 2-3

23.975 **Push button Ring plastic, brass color**  
 30 mm x 18 mm (1 3/16" x 23/32")  
 (Make hole of 1 3/16" with drill bit or router)  
 Specify finish, see page 2-3

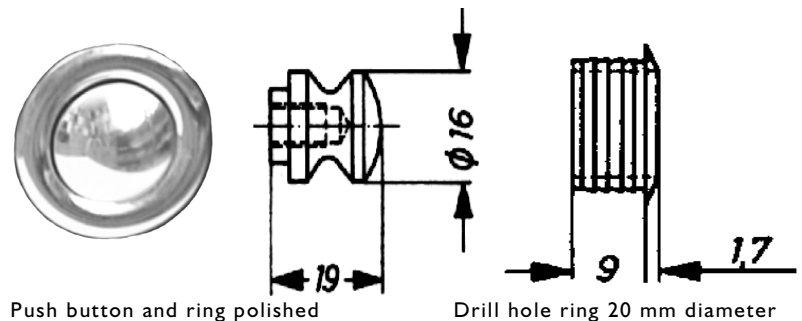
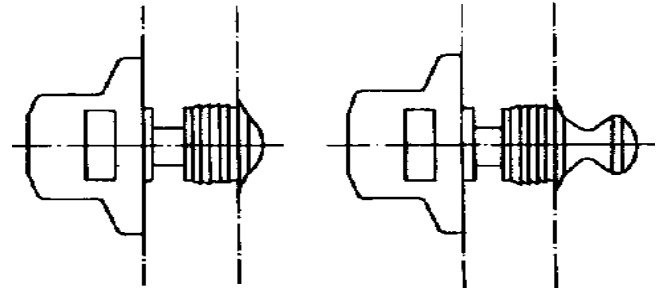


#24.2259 Mechanism set shown with button and ring and angle strike



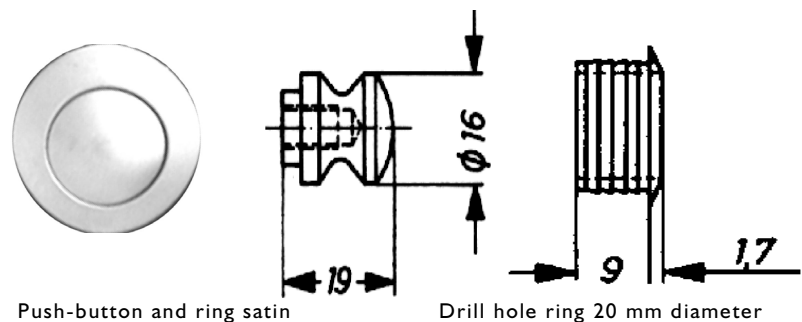
closed

open



Push button and ring polished

Drill hole ring 20 mm diameter



Push-button and ring satin

Drill hole ring 20 mm diameter



# ORDER **BUTTONS AND RINGS** for Aluminum push button mechanism separately

2-3-5 E



- #24.552: Button polished stainless steel
- #24.553: Ring polished stainless steel
- #24.552.1: Button polished titanium gold coated stainless steel
- #24.553.1: Ring polished titanium gold coated stainless steel
- #24.552.2: Button satin stainless steel
- #24.553.2: Ring satin stainless steel



- #24.125.106: Button polished lacquered brass
- #24.135.106: Ring polished lacquered brass
- #24.125.298: Button titanium coated gold color
- #24.135.298: Ring titanium coated gold color



- #24.125.296: Button satin lacquered brass color
- #24.135.596: Ring satin lacquered brass color
- #24.125.298: Button satin titanium coated gold color
- #24.135.598: Ring satin titanium coated gold color



- #24.125.266: Button polished chrome plated brass
- #24.135.266: Ring polished chrome plated brass
- #24.125.566: Button satin chrome plated brass
- #24.135.566: Ring satin chrome plated brass
- #24.125.266: Button polished nickel plated brass
- #24.135.266: Ring polished nickel plated brass
- #24.125.566: Button satin nickel plated brass
- #24.135.566: Ring satin nickel plated brass



- #24.125.176: Button red copper plated brass
- #24.135.176: Ring red copper plated brass



- #24.125.546: Button satin dark bronze
- #24.135.546: Ring satin dark bronze



- #24.121.106: Button polished lacquered brass
- #24.122.106: Ring polished lacquered brass
- #24.121.266: Button polished chrome plated brass
- #24.122.266: Ring polished chrome plated brass
- #24.121.566: Button satin chrome plated brass
- #24.122.566: Ring satin chrome plated brass
- #24.121.256: Button polished nickel plated brass
- #24.122.256: Ring polished nickel plated brass
- #24.121.556: Button satin nickel plated brass
- #24.122.556: Ring satin nickel plated brass



- #23.705.260: Button polished chrome plated die cast brass
- #24.715.260: Ring polished chrome plated die cast brass
- #23.705.280: Button polished gold plated die cast brass
- #24.715.280: Ring polished gold plated die cast brass



- #23.450.260: Button polished chrome plated brass
- #24.451.260: Ring polished chrome plated brass
- #23.450.280: Button polished gold plated brass
- #24.451.280: Ring polished gold plated brass



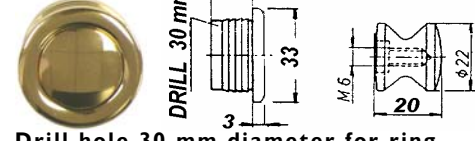
- #24.791 square button brass
  - #24.792 ring brass
- Call or email office for finish ID and codes



ALL PARTS DESIGNED TO WORK WITH IZERWAREN ALUMINUM MECHANISM ONLY



Drill hole 26 mm diameter for ring



Drill hole 30 mm diameter for ring



Drill hole 30 mm diameter for ring



Drill hole 30 mm diameter for ring



Drill hole 30 mm diameter for ring



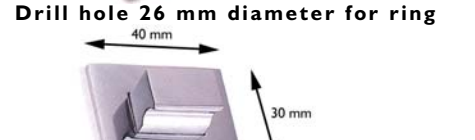
Drill hole 30 mm diameter for ring



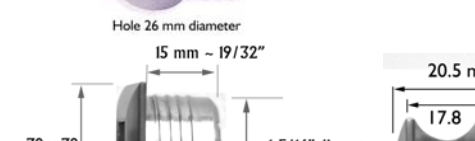
Drill hole 26 mm diameter for ring



Drill hole 26 mm diameter for ring



Drill hole 26 mm diameter for ring



Drill hole 1 5/16 inch diameter for ring

for Exceptional European Hardware



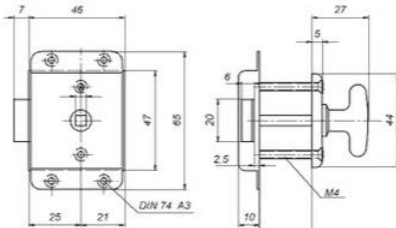




Izerwaren  
Order  
numbers

• Brass cabinet latches and locks  
Finish: Chrome plated brass  
**Marine Rim Latches (Slam Latch Action)**

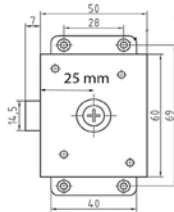
21.309 **Latch #4309;** 25 mm backset, for 5 x 5 mm spindle; with strike Case 46 x 65 mm polished chrome plated brass Knob set #4309K separate order Strike #4309S



Latch #21.309; 25 mm backset, brass chrome plated 5 x 5 mm spindle with knob + rose



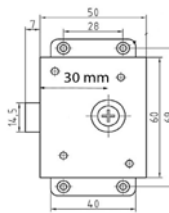
21.709-25 **Latch #3709;** 25 mm backset, for 7 x 7 mm spindle; with strike Case 50 x 78 mm polished chrome plated brass Strike #3709S



Latch #21.709-25; 25 mm backset brass chrome plated 7 x 7 mm spindle



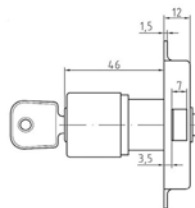
21.709-30 **Latch #3709;** 30 mm backset, for 7 x 7 mm spindle; with strike Case 50 x 78 mm polished chrome plated brass Strike #3709S



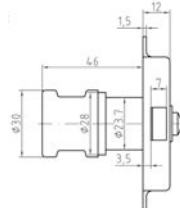
Latch #21.709-30; 30 mm backset, brass chrome plated 7 x 7 mm spindle SET: 21.719-30 #16.087 oval knob with #oval rose



21.711Z **Latch #3711Z;** 30 mm backset, With cylinder keyway in knob; with strike Case 50 x 78 mm polished chrome plated brass with steel parts



latch #21.711Z; 30 mm backset, brass chrome plated

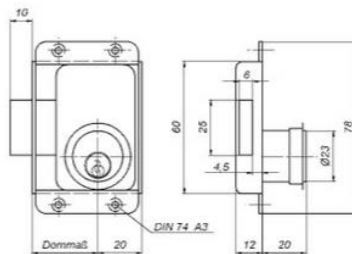


21.711K

21.711K **Latch #3711K;** 30 mm backset, With Knob and with strike Case 50 x 78 mm polished chrome plated brass thickness of door 3/4".

**Marine Rim Lock**

21.73Z **Deadbolt #3273Z;** 25 mm backset, (also avail. 20, 30 mm backset) With cylinder keyway, with strike Case 45 x 78 mm polished chrome plated brass thickness of door 3/4".



latch #3273Z; 25 mm backset, brass chrome plated; also with 20, 30 mm backset For door thickness from 5/8" to 1 3/16."



**Push Pin Marine Rim Latches (with Slam Latch Action)**



#21.515 Push Pin Latch; 15 mm (5/8 inch) backset



#21.503 Push pin Latch 22.5 mm (3/4 inch) backset



#24.1520 Push Pin latch with pull 15 mm (5/8 inch) backset

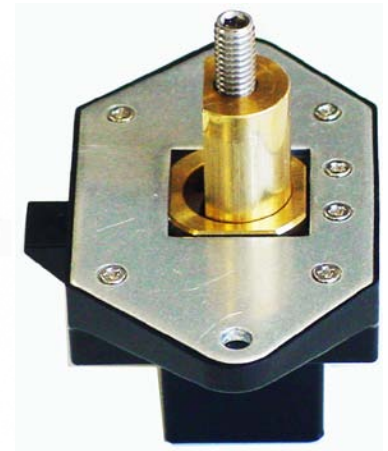
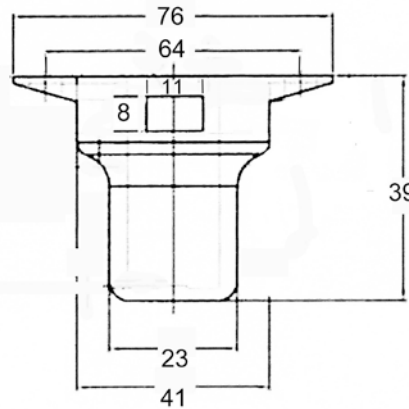
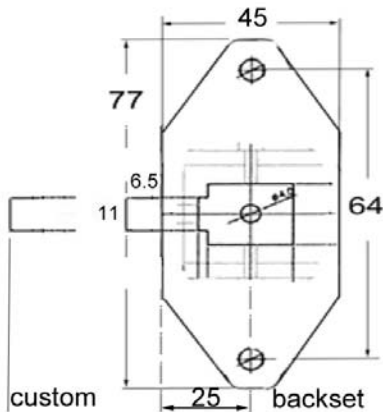


#24.5175 Pull separate

**For more exterior grade marine slam latches with push pin see page 2-I-A**



**SLAM LATCH WITH PUSH/PULL MECHANISM  
WITH 1 INCH BACKSET FOR 3/4 INCH THICK DOORS**



#25.525  
Standard Mechanism  
Backset 25 mm

#25.5275 SET with S / S push button set; 25 mm backset  
Drill hole 25 mm diameter for ring

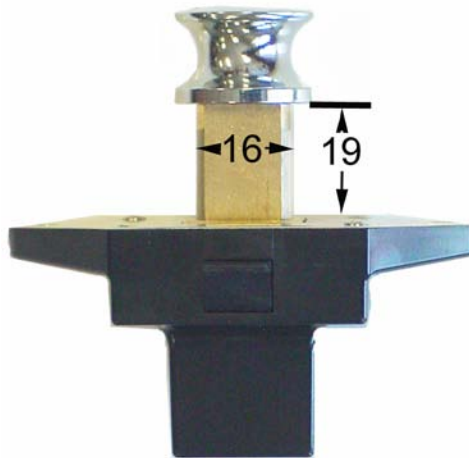
**HOW TO OPERATE:**

<p>① Close drawer or door (slam latch action; hands free action)</p>	<p>② Push to have button retracted</p>	<p>③ Push to have button pop out</p>	<p>④ Pull Button To open drawer or door (latch retracts)</p>



Front view "Pulled" extended  
Latch bolt retracted, door opens

Position: ④



Front view extended  
Button extended, door locks

Position: ③



Side view compressed  
Button flush compressed, door locks

Position: ②

**Door Thickness** can vary from 5/8" to 1 1/4" or more by use from fillerplates and spacers

**Backset** can vary from 3/4" to 3" or more by extending the latchbolt. Specify when order.





**"A SET MAKES THE INSTALLATION A SUCCESS"**

**SET CONSIST OF THE FOLLOWING PARTS:**

**ORDER SETS:**

**With polished stainless steel button & ring**

- 25.5275: 25 mm backset mechanism with installation kit
- 25.5995: Custom backset mechanism with installation kit

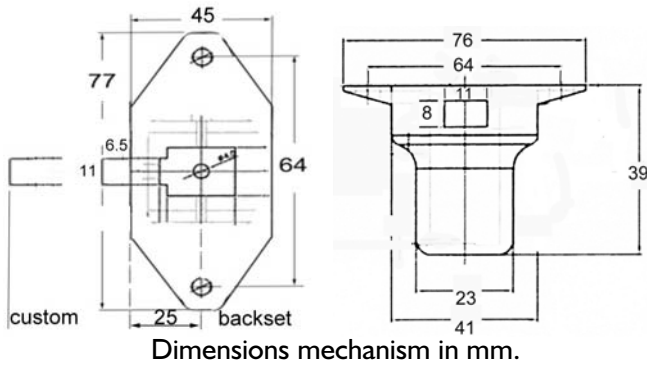
**With satin stainless steel button & ring**

- 25.5279: 25 mm backset mechanism with installation kit
- 25.5999: Custom backset mechanism with installation kit

**Parts separate:**

- 25.525: 25 mm backset mechanism only
- 22.9820: strike plate with lip; polished chrome
- 24.552: button stainless steel 316 mirror polished
- 24.553: ring stainless steel 316 mirror polished
- 24.559: spacer for button 6 mm
- 24.569: spacer for button 1 mm
- 24.557: Filler plate for body

More buttons & rings: See page 2-4-5 & 2-4-6

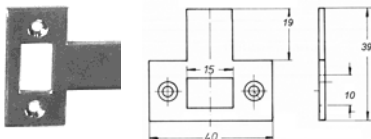


**Roller bolt Strike plate**



- 22.099 #22.099 Roller Bolt strike; 30 mm x 10 mm stainless steel

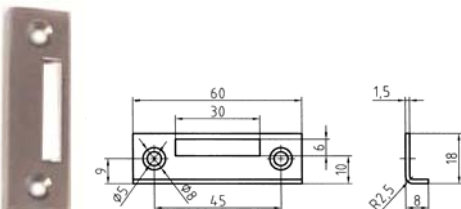
**Strike plate for 3/4 inch doors**



- 22.9820 #22.9820 strike for 3/4 inch thick doors
- 22.098S #22.098S strike for 5/8 inch doors
- 22.098L #22.098L strike for 1 1/4 inch doors

**Strike for overlay doors (separate)**

Stainless steel 60 x 18 x 8 mm



- 23.097 #23.097 strike plate stainless steel. For use with overlay doors applications



Button #24.552  
316 stainless steel

Ring #24.553  
316 stainless steel

2x Button Spacers  
#24.569

2x Button Spacer  
#24.559  
6 mm (1/4") thick

2x Filler Plate  
#24.557  
1 mm thick

Mechanism:  
Select backset  
when ordering  
standard:  
25 mm backset  
#25.525



**SPECIFY BACKSET MECHANISM**

**STANDARD BACKSET: 25 MM OR 1 INCH.**

**STAINLESS STEEL BUTTON AND RING INCLUDED IN SET:**



**FOR MORE Buttons and Rings and Finishes,  
Please see page 2-4-5 AND 2-4-6**



**SET CONSIST OF THE FOLLOWING PARTS:**

**ORDER SETS:**

**With Polished Brass button & ring**

- 25.6253: 25 mm backset mechanism with installation kit
- 25.6995: Custom backset mechanism with installation kit

**With Satin Brass button & ring**

- 25.6379: 25 mm backset mechanism with installation kit
- 25.6999: Custom backset mechanism with installation kit

**With Satin Nickel button & ring**

- 25.6379: 25 mm backset mechanism with installation kit
- 25.6998: Custom backset mechanism with installation kit

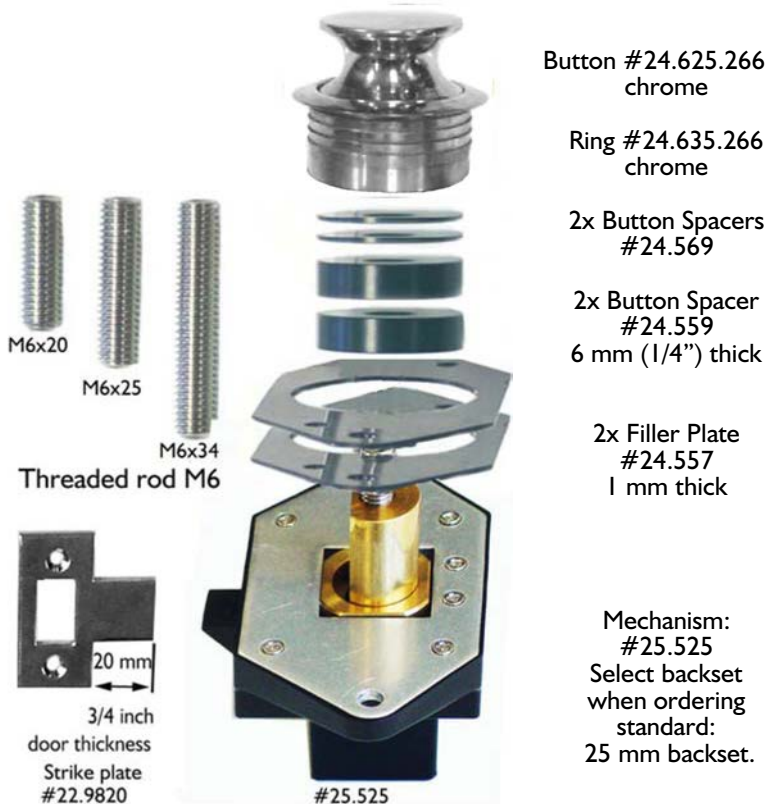
**With Polished Chrome button & ring**

- 25.7254: 25 mm backset mechanism with installation kit
- 25.7999: Custom backset mechanism with installation kit

**Parts separate:**

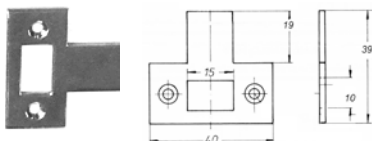
- 24.525: 25 mm backset mechanism only
- 24.9820: strike plate with lip; polished chrome
- 24.125.106: button brass polished
- 24.135.106: ring brass polished
- 24.125.266: button chrome polished
- 24.135.266: ring chrome polished
- 24.559: spacer for button 6 mm
- 24.569: spacer for button 1 mm
- 24.557: filler plate for body 1 mm

Please see page 2-4-5 for more buttons & rings



**SPECIFY BACKSET MECHANISM  
STANDARD BACKSET: 25 MM OR 1 INCH.**

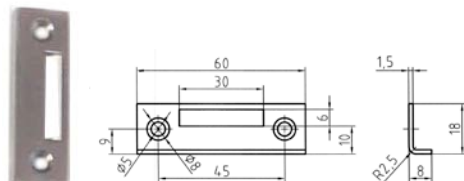
**Strike plate for 3/4 inch doors**



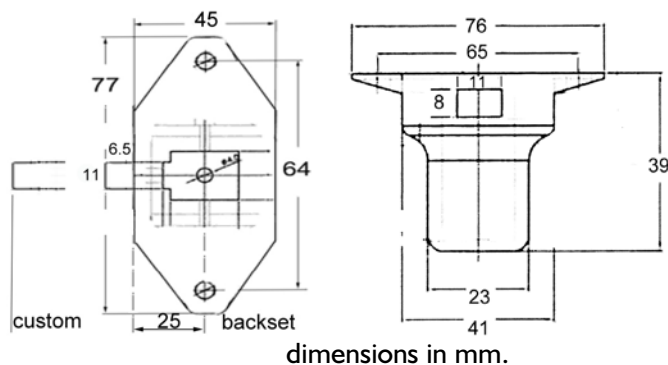
- 22.9820 #22.9820 strike for 3/4 inch thick doors
- 22.098S #22.098S strike for 5/8 inch doors
- 22.098L #22.098L strike for 1 1/4 inch doors

**Strike for overlay doors (separate)**

Stainless steel 60 x 18 x 8 mm

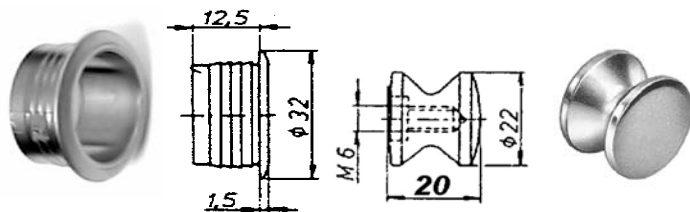


- 23.097 #23.097 strike plate stainless steel. For use with overlay doors applications. Please order separate



dimensions in mm.

**STAINLESS STEEL BUTTON AND RING INCLUDED IN SET:**



**Drill hole 26 mm diameter for ring**

This set allows for installation for any door thickness from 1 1/16 To 1 1/4 inch thick doors, by simply applying the filler plates, button spacers and threaded rods in any desired combination.  
 Angle strike #23.012 is included with the set. Specify other strikes as needed.  
 Separate buttons, rings, parts list of page and page



**SET CONSIST OF THE FOLLOWING PARTS:**

**ORDER SETS:**

**With Polished Brass button & ring**

- 25.8253: 25 mm backset mechanism with installation kit
- 25.8995: Custom backset mechanism with installation kit

**With Satin Brass button & ring**

- 25.8379: 25 mm backset mechanism with installation kit
- 25.8999: Custom backset mechanism with installation kit

**With Satin Nickel button & ring**

- 25.8479: 25 mm backset mechanism with installation kit
- 25.8799: Custom backset mechanism with installation kit

**With Polished Chrome button & ring**

- 25.8254: 25 mm backset mechanism with installation kit
- 25.8699: Custom backset mechanism with installation kit

**Parts separate:**

- 25.525: 25 mm backset mechanism only
- 22.9820: strike plate with lip; polished chrome
- 24.821.106: button brass polished
- 24.813.106: ring brass polished
- 24.821.556: button satin nickel
- 24.813.556: ring satin nickel

- 24.559: spacer for button 6 mm
- 24.569: spacer for button 1 mm
- 24.557: filler plate for body 1 mm

Button #24.812

Square Ring #24.813

2x Button Spacers #24.569

2x Button Spacer #24.559

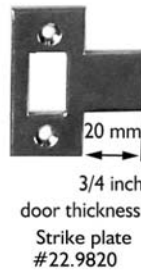
6 mm (1/4") thick

2x Filler Plate #24.557  
1 mm thick

Mechanism: #25.525  
Select backset when ordering standard: 25 mm backset.



Threaded rod M6



Strike plate #22.9820

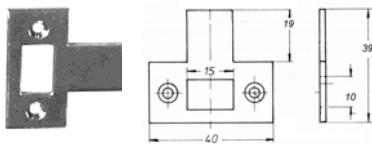
#25.525

**Roller bolt Strike plate**



- 22.099 #22.099 Roller Bolt strike; 30 mm x 10 mm stainless steel

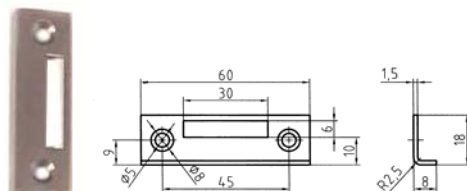
**Strike plate for 3/4 inch doors**



- 22.9820 #22.9820 strike for 3/4 inch thick doors
- 22.098S #22.098S strike for 5/8 inch thick doors
- 22.098L #22.098L strike for 1 1/4 inch thick doors

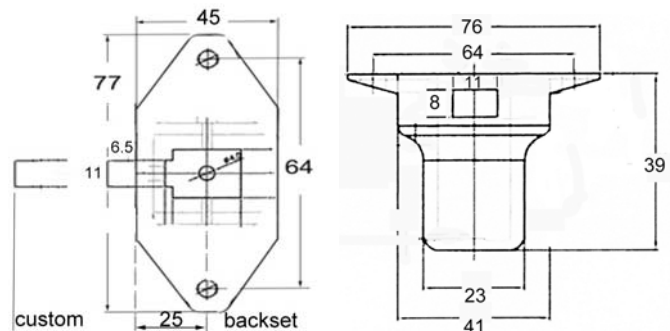
**Strike for overlay doors (separate)**

Stainless steel 60 x 18 x 8 mm



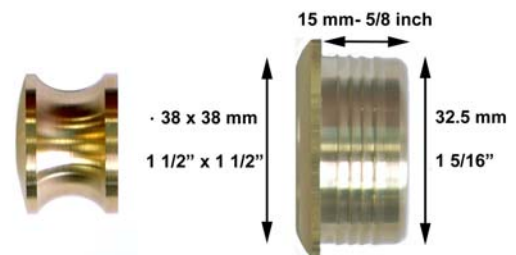
- 23.097 #23.097 strike plate stainless steel. For use with overlay doors applications Please order separate

**SPECIFY BACKSET MECHANISM STANDARD BACKSET: 25 MM OR 1 INCH.**



dimensions in mm.

**BUTTON AND RING INCLUDED IN SET:**



Button diameter: 28.2 mm or 1 1/8"  
Drill hole 1 5/16 inch diameter for ring

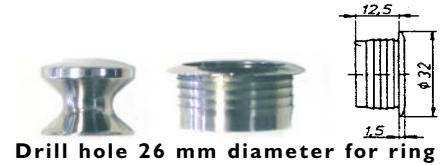
This set allows for installation for any door thickness from 1 1/16 To 1 1/4 inch thick doors, by simply applying filler plates, button spacers and threaded rods in any desired combination. Angle strike #23.012 is included with the set. Other strikes are special order.. Separate buttons and rings see page 2-4-5 and page 2-4-6





**THIN WALL 316 STAINLESS STEEL BUTTON AND RING**

- #24.552: Button polished stainless steel
- #24.553: Ring polished stainless steel
- #24.5521: Button polished titanium gold coated stainless steel
- #24.5531: Ring polished titanium gold coated stainless steel
- #24.5522: Button satin stainless steel
- #24.5532: Ring satin stainless steel



**Drill hole 26 mm diameter for ring**



**THIN WALL OVAL BRASS BUTTON AND RING**

- #24.121.106: Button polished lacquered brass
- #24.122.106: Ring polished lacquered brass
- #24.121.266: Button polished chrome plated brass
- #24.122.266: Ring polished chrome plated brass
- #24.121.566: Button satin chrome plated brass
- #24.122.566: Ring satin chrome plated brass
- #24.121.256: Button polished nickel plated brass
- #24.122.256: Ring polished nickel plated brass
- #24.121.556: Button satin nickel plated brass
- #24.122.556: Ring satin nickel plated brass

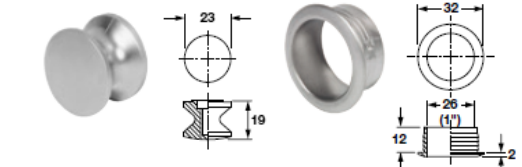


**Router oval hole 25 x 41 mm for ring**



**THIN WALL BRASS BUTTON AND RING**

- #24.625.106: Button polished lacquered brass
- #24.635.106: Ring polished lacquered brass
- #24.625.266: Button polished chrome plated
- #24.635.266: Ring polished chrome plated brass
- #24.625.556: Button satin nickel brass
- #24.635.556: Ring satin nickel brass



**Drill hole 26 mm diameter for ring**

Please call our office about custom finishes

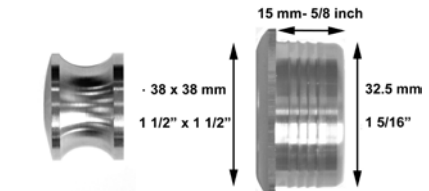
**CUSTOM FINISH**

- #24.125.999: Button, custom finish
- #24.135.999: Ring, custom finish

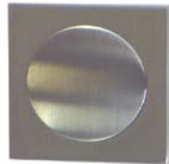


**FLAT SQUARE BRASS RING WITH FLAT BUTTON**

- #25.811.556: Button Flat satin nickel brass
- #25.812.556: Square Ring Flat satin nickel brass
- #25.811.266: Button Flat polished chrome plated
- #25.812.266: Square Ring Flat polished chrome plated brass

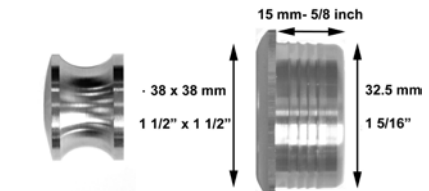


**Drill hole 1 5/16 inch diameter for ring**



**FLAT SQUARE BRASS RING WITH ROUND BUTTON**

- #25.821.556: Button Flat satin nickel brass
- #25.812.556: Square Ring Flat satin nickel brass
- #25.821.266: Button Round polished chrome plated
- #25.812.266: Square Ring Flat polished chrome plated brass



**Drill hole 1 5/16 inch diameter for ring**

**ALL BUTTON AND RINGS WORK WELL WITH 3/4 INCH OR 19 MM THICK MATERIAL.**

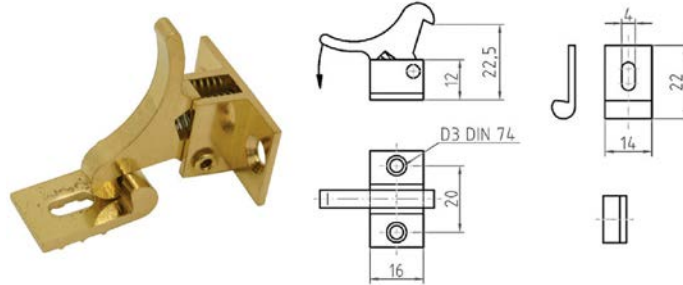
**USE FILLR PLATES ON THE MECHANISM WHEN MATERIAL IS LESS THEN 3/4" THICK**

**USE EXTENSION BUSHINGS BEHIND THE BUTTON WHEN THE MATERIAL IS THICKER THEN 3/4 INCH**



Izerwaren  
Order  
numbers

21.516 **Finger pull (5160/61)**  
with elbow catch, strike and  
latch operates by pulling lever with  
finger, through hole in door.  
Cover ring in hole in door:  
drill 29 mm hole; OD: 34 mm ID: 23 mm  
strike plate included; both handed



**Finger pull #21.516** elbow catch; latch operates by pulling lever with finger, through hole in door. Strike plate included; both handed

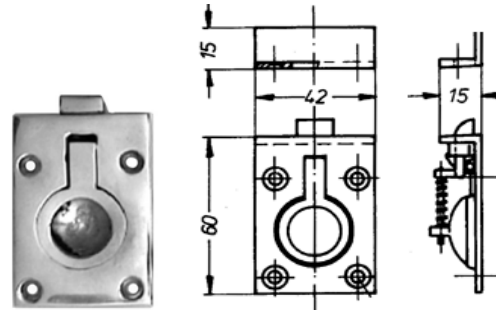
21.2801 **Ring (631.02.801) Brass Polished**  
Diameter 35 mm; 18 mm high;

21.2701 **Ring (631.02.701) Satin Nickel**  
Diameter 35 mm; 18 mm high;



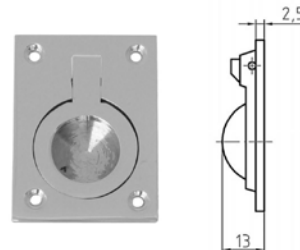
#21.2801 Brass #21.2701 nickel Brass Cover ring for hole in door:  
Drill 35 mm hole; D = 35 mm; A = 19 mm

24.160 **Flush Pull Lift with latch (4108)**  
Brass, polished chrome plated,  
Strike plate included.  
Body: 60 x 40 mm - 2 3/8" x 1 9/16";  
Strike: 15 x 15 mm - 5/8" x 5/8"  
mortise depth: 18 mm - 11/16"



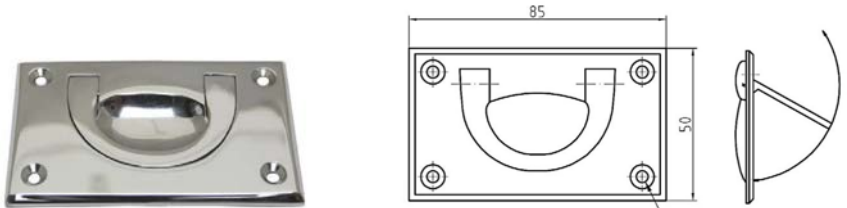
Finger pull catch #24.160 brass chrome plated

46.108 **Flush Pull**  
Brass, polished chrome plated,  
Dimensions: 52 x 37 x 13mm  
mortise depth: 13 mm 5/8"



Flush pull #46.108 chrome plated: 52 x 37 mm

46.020 **Flush Pull**  
Brass, polished chrome plated,  
Dimensions: 85 x 50 x 13mm  
mortise depth: 13 mm 5/8"



Flush pull #46.020 chrome/brass 85 x 50 mm.

43.214 **Flush Pull** stainless steel  
2 1/4" x 3" ~ 57 x 76 mm  
316 Cast Stainless steel

43.215 **Flush Pull** stainless steel  
Dimensions: 2 1/2" x 1 3/4"  
316 Cast Stainless steel

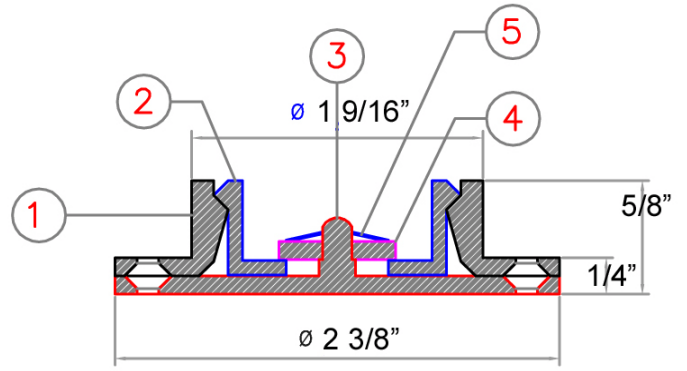
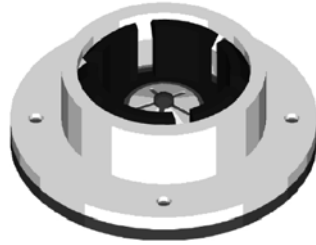
43.216 **Flush Pull** stainless steel  
Dimensions: 1 1/2" x 1 15/16"  
316 Cast Stainless steel



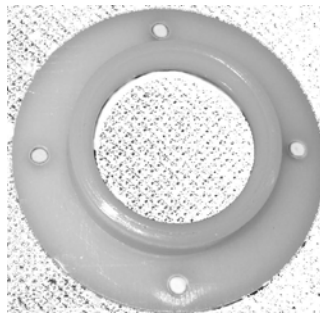
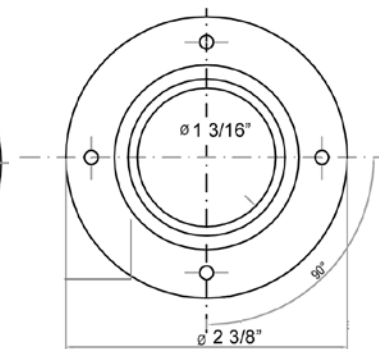
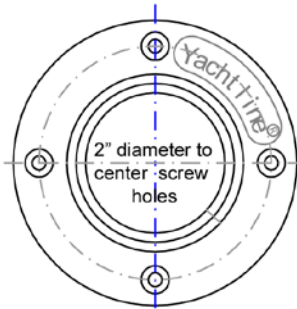
Flush Pull #43.214  
3" x 2 1/4"

#43.215;  
1 3/4" x 2 1/2"

#43.216;  
1 1/2" x 1 15/16"



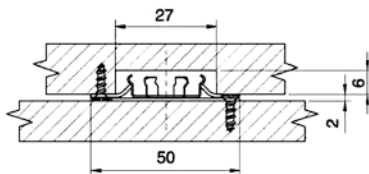
# 43.FLS SET: Sure Catch Clips part 1 and 2 clipped together



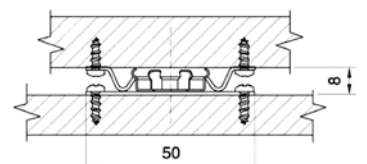
part #1

part #2

Outer diameter:  $2 \frac{3}{8}''$  diameter inner hole:  $1 \frac{3}{16}''$  Distance screw holes 2" across  
**SIDEWAYS MOVEMENT OF  $\frac{5}{32}''$  ALLOWING EAZY INSTALLATION**  
**DRILL HOLE OF  $1 \frac{5}{8}''$  FOR INSTALLING TOP PIECE (2)**



#43.FLI; Clip Stainless Steel;

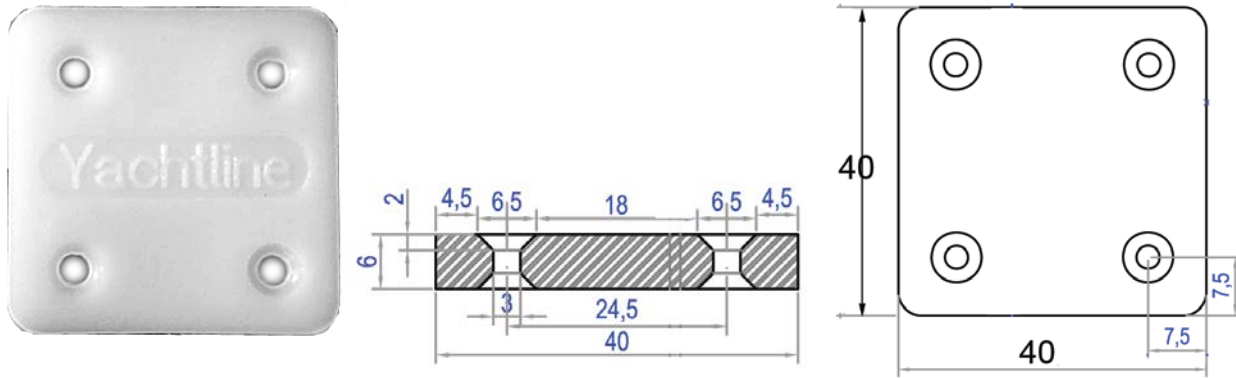


#43.FLIF; Clip stainless steel.

For fire rated applications

Please see also page 2-5-2 for more details

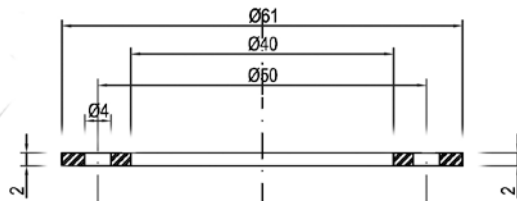




**End stop block part #43.CBLOCK | 9/16" X | 9/16"**

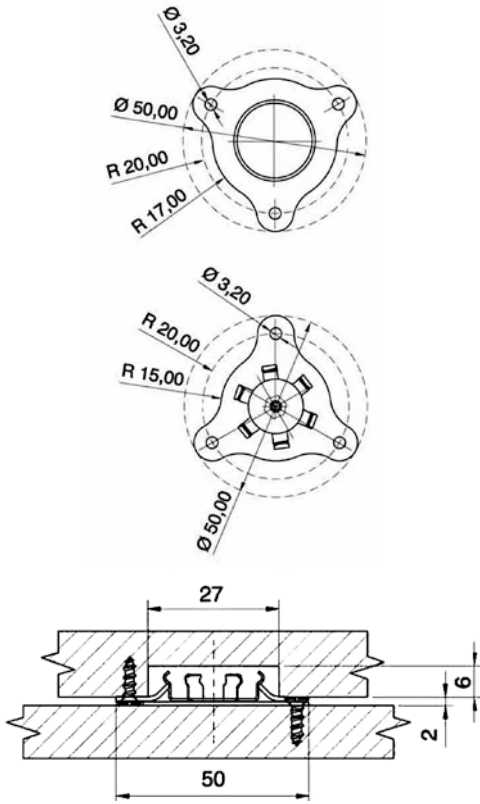


**Sliding Clips for sideways mounting. Sizes: 61 mm wide 38 mm high each. 2 3/8" x 2 1/2"  
Double: 61 mm wide x 56 mm high 2 3/8" x 2 3/16"  
Part #43.CSLIDE**



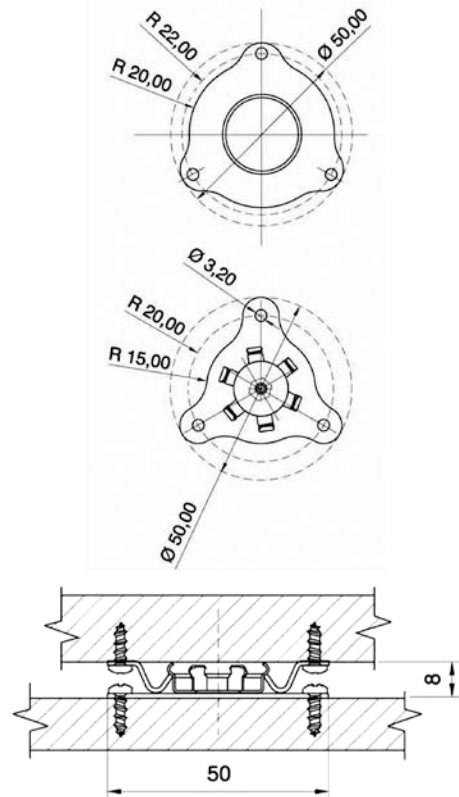
**Filler Ring for Sure Catch Clips 2 mm thick. Part #43.CFIL 2 3/8" Outside Diameter**





# 43.FLI;

SET Sure Catch Clip with 2 mm distance between panels. Material: 304 **STAINLESS STEEL**  
Force rating 24 lbs



# 43.FLIF;

SET Sure Catch Clip with 8 mm distance between panels. Material: 304 **STAINLESS STEEL**  
Force rating 24 lbs



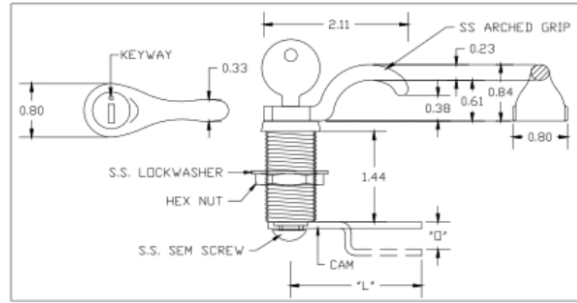
- For any panel applications that requires conforming to fire codes
  - For Marine Applications and other recreational vehicles



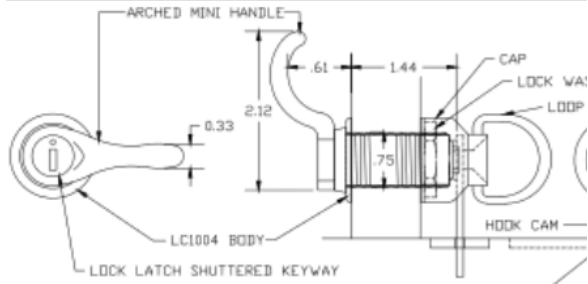
**Marine Grade Cam Locks with lever and keyway - Light duty**



43.930 Cam latch with small lever and key lock  
90 degree swing; 1 3/4 inch long lever.  
No back mounted lever or ring

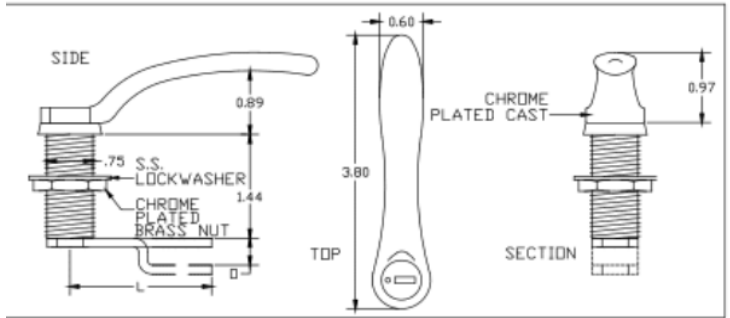


43.1030 Cam latch with lever and backside ring lever, lockable with key.  
For 25 mm or 1 inch thick doors

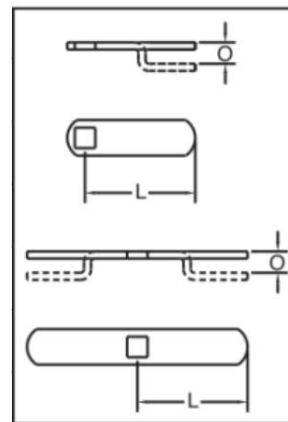
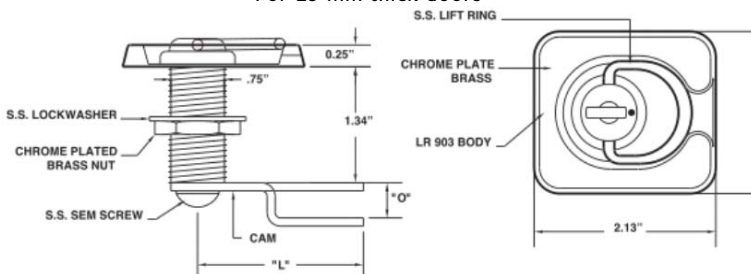


43.1029 Cam latch with levers and key lock.  
For up to 1 inch or 25 mm door thickness.  
Cam action: 2 inches max. (see different cams)  
Lever and cam have a 180 degree swing when unlocked.  
Lever is 3 1/2 inch long; comes with 3 installation options:

- Use with a back mounted full side lever
- Use with a back mounted ring lever
- Use with cam only on back side



43.0102L Cam latch with key lock and ring lever  
For 25 mm thick doors



Stainless steel strikes.  
43.765 straight strike 2 inch long  
43.766 straight strike 3 inch long  
43.767 3/8 inch offset 2 inch long  
43.768 straight strike double end 2 x 2 inch long  
43.769 3/8" offset double end 2 x 2 inch





Izerwaren  
Order  
numbers

**Offset Slam Latches**

Stainless steel and zinc

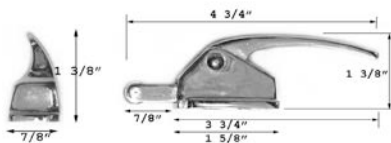
Latch for flush and overlay doors.  
Polished chrome die cast zinc  
Available in flush, or 1/8, and 3/8 inch offset.

- 88.2319 SET latch and strike flush
- 88.231 Latch only
- 88.232 88.232 strike flush
- 88.234 88.234 strike 1/8"
- 88.236 88.236 strike 3/8"

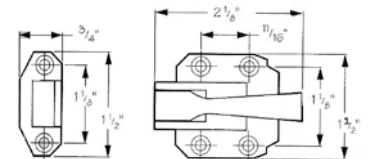
Latch for flush and overlay doors.  
Polished chrome die cast zinc  
Available in flush, with 1/8, and 3/8 inch offset

- 88.2389 SET: Latch and strike flush
- 88.238 88.238 latch only
- 88.239 88.239 strike flush
- 88.241 88.241 strike 1/8"
- 88.243 88.243 strike 3/8"

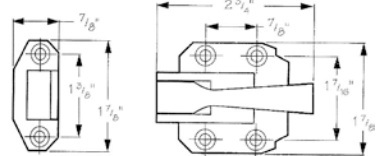
- 88.470 Latch for flush and overlay doors..
- 88.485 Flush strike (depicted)
- 88.486 Offset strike 3/4" offset (not depicted)



**MINI LATCHES**



SET: #88.2319 Latch for flush doors with strike. Polished chrome die cast zinc  
Base: 1 1/2" x 2 1/8"; Strike 3/4" x 1 1/2". Flush Strike depicted  
Available in flush, with 1/8, and 3/8 inch offset.



SET: #88.2389 Latch and strike for flush doors. Polished chrome die-cast zinc.  
Base: 1 7/8" x 2 3/4"; Strike 7/8" x 1 7/8".  
Available in flush, with 1/8, and 3/8 inch offset.

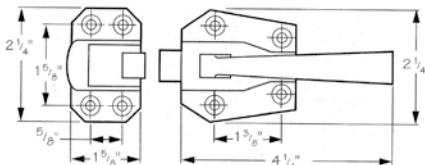
**MEDIUM SIZE LATCHES**



88.470 Latch for flush and overlay doors. Polished chrome die-cast zinc. Strike sold separate  
88.485 Flush strike (depicted)  
88.486 Offset strike 3/4" offset (not depicted)

- 88.130 Latch for up lay doors  
For flush up to 1/2" inch offset only;  
Strike included,  
With padlock provision.

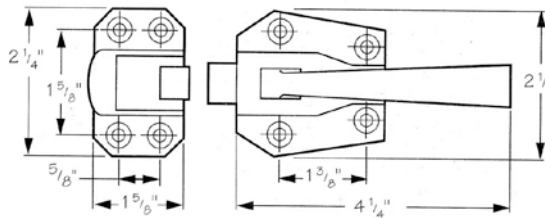
**STAINLESS STEEL.**



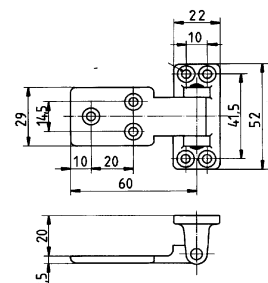
#88.130 Latch for overlay doors with 1/2 inch offset; **stainless steel**, with padlock provision  
For flush and 1/2" offset applications  
#88.131 for 5/8" to 1 1/4" applications  
Base: 2 1/4" x 2 1/2". Strike included

- 88.131 Latch for overlay doors  
For 5/8" up to 1 1/4" inch offset only;  
Strike included,  
With padlock provision

**Stainless steel.**



- 42.255 Off set hinge die-cast aluminum  
29 x 60 mm; offset 20 mm (3/4 inch)



#42.255 door hinge 3/4" offset die-cast aluminum - sizes in mm.

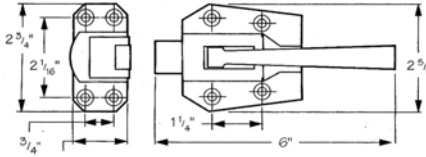


Izerwaren  
Order  
numbers

Toggle Devices and hatch fasteners  
Stainless steel and brass  
• seawater resistant

**FULL SIZE LATCH 1/2 INCH OFFSET with padlock option**

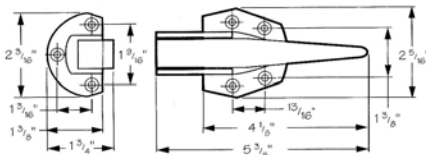
88.163 Latch for up lay doors with 1/2 inch offset; Strike included, with padlock provision **stainless steel**



88.163 Latch for up lay doors with 1/2 inch offset; **stainless steel**, with padlock provision Base 2 5/8" x 3" Strike included

**FULL SIZE LATCH 1/2 INCH OFFSET AND FLUSH SETUP**

88.066 Latch, toggle style, **stainless steel**  
88.067 Strike separate polished chrome  
Adjustable 5/8 to 1 1/4 inch



Mechanism 88.066, strike 88.067



#88.066 Latch for up lay doors with 1/2 inch offset; **stainless steel**, with padlock provision Base 2 5/16 inch x 2 3/16 inch" Strike sold separate

#88.067 Strike for offset adjustable 5/8 x 1 1/4 inch

88.067S Strike for flush door application (custom made)

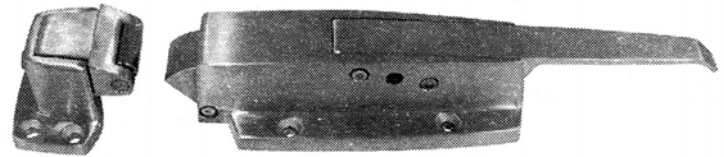


Latch #88.066 with flush strike #88.067S. Stainless steel  
#88.067S Strike for flush application stainless steel

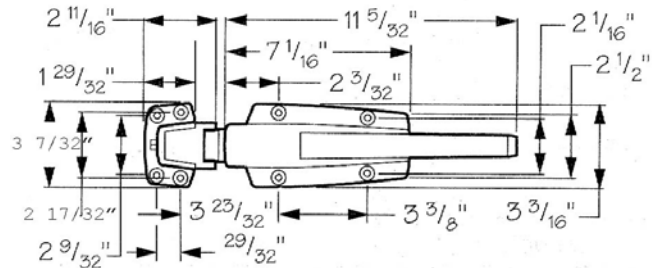
88.100 Latch, full size, for up lay doors; **Stainless steel**, Available with offset: 3/8, 3/4, 1 5/8, 2 1/2 inch



**OVER SIZE LATCH FOR HEAVY DOORS 3/8; 3/4; 1 5/8 & 2 1/2 INCH OFFSET**



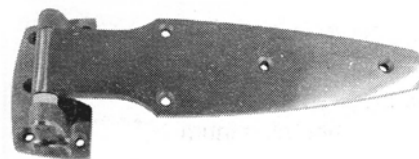
Latch for up lay doors, **stainless steel**  
Strike separated  
#88.001 **Pin** for back release (separate)



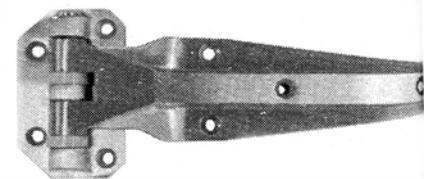
#88.100 Latch for up lay doors; **stainless steel**. Offset: 3/8, 3/4, 1 5/8, 2 1/2 inch.  
#88.001 **Pin** for back release (order separate)

42.48105 Strap hinge 1 5/8 offset  
13 1/2" x 5"  
Stainless steel  
Specify LEFT OR RIGHT

**FULL SIZE STAINLESS STEEL STRAP HINGES**



#42.48105 strap hinge 1 5/8 offset  
13 1/2" x 5"



#42.48115 flush strap hinge  
10 3/8" x 4 1/4"

42.48115 Strap hinge flush  
10 3/8" x 4 1/4"  
Stainless steel

DETAILS SEE PAGE 4-2-3

Specify LEFT OR RIGHT

More sizes stainless steel strap hinges: See page 4-2-3

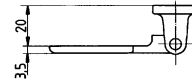
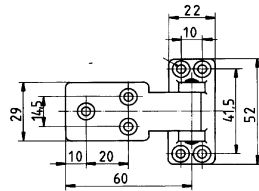


Izerwaren  
Order  
numbers

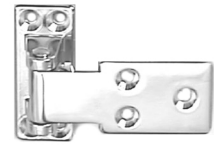
Hatch hinges, brass and die cast  
aluminum and stainless steel

42.255

**Hinge** each, both handed  
Light duty  
Polished chrome plated dycast  
Offset: 3/4" ~ 20 mm  
Overall size: 60 x 52 mm



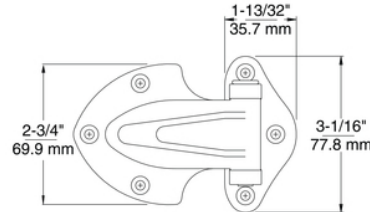
#42.255 door hinge 3/4" offset (20 mm)



#42.255 Door Hinge 3/4" offset  
zinc dycast

42.40119

**Hinge** each, size: 3 1/2" x 3 1/16"  
Medium Duty  
Available in flush mounting or  
offset.  
Offset form 0 to 1 1/8" offset  
Polished Chrome Dycast



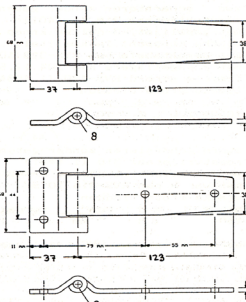
#42.40119; Size: 3 1/2" x 3 1/16" Medium Duty  
Available in flush mounting or offset.  
Offset from 0 to 1 1/8" offset



#42.40119 size: 3 1/2" x 3 1/16"  
Polished chrome diecast

42.273

**Hinge** each, size: 4 inch leaf;  
Heavy Duty  
Flush mounting only  
SATIN STAINLESS STEEL



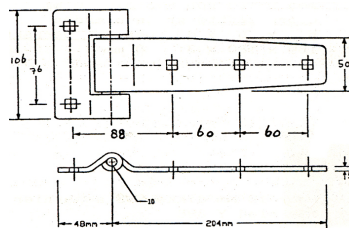
#42.273 with and without holes  
Flush mounting only



#42.273; size: 4 inch; Heavy Duty  
Available in flush mounting only  
SATIN STAINLESS STEEL

42.7294

**Hinge** each, size: 8 1/4 inch leaf;  
Heavy Duty  
Flush mounting only  
SATIN STAINLESS STEEL



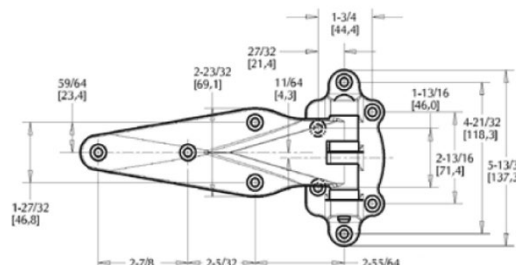
#42.7294 with and without holes  
Flush mounting only



#42.7294; size: 9 3/4 inch; Heavy Duty  
Available in flush mounting only  
SATIN STAINLESS STEEL

42.40233

**Hinges** strap hinge flush  
205 x 137 mm  
8 1/8" x 5 13/32"  
Chrome Plated Brass



#42.40233 strap hinge flush 205 x 137 mm  
8 1/8" x 5 13/32"

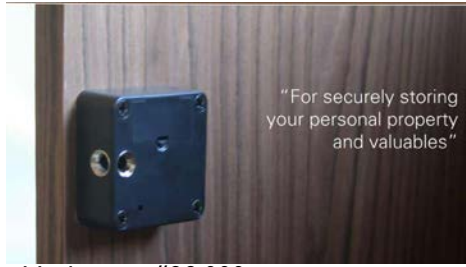


#42.40233 strap hinge flush 205 x 137 mm  
8 1/8" x 5 13/32"  
Polished Chrome Plated Brass

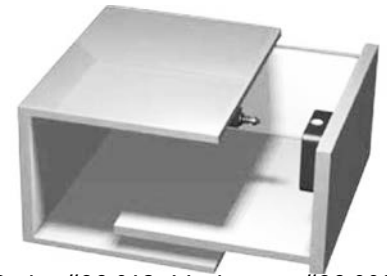




Key Card #28.012



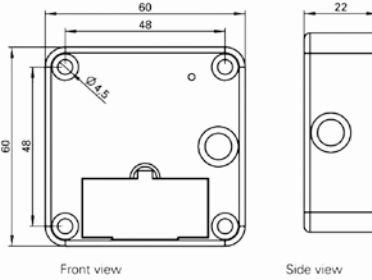
Mechanism #28.000



Strike #28.013 Mechanism #28.000



#28.000 Mechanism; front or side locking



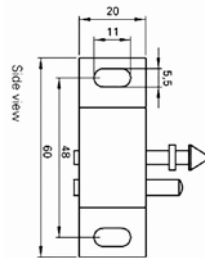
Size: 2 3/8 x 2 3/8 x 7/8 inch



#28.015; 3 Volt battery Required for operation



#28.013 spring loaded strike



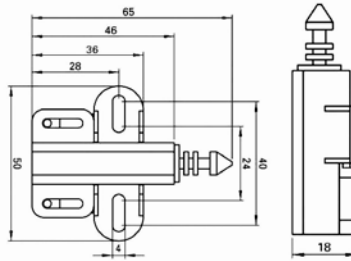
Size: 2 3/8 x 1 3/16 inch



#28.013 spring loaded strike; pushes door open



#28.001 breakaway strike with shear pin



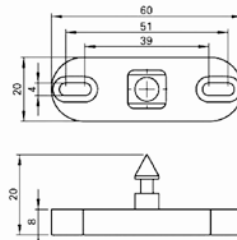
Size: 2 x 1 3/8 x 3/4 inch



Installation showing strike #28.001



#28.004 right angle strike



Size 2 3/8 x 1 3/16"



#28.233 Soft close pin with bracket  
#28.234 Soft close pin -drill hole 3/8" inch  
Length pin: 3/8" Length body: 2"  
Helps to soft close and open doors/drawers



#28.901 Power supply for mechanism



#28.012 Key card (FOB) for thick material  
Up to 1 1/4 thickness of wood



#28.009 Antenna with flat plate



#28.233 Soft close pin with bracket. Soft Length pin: 3/8" Length body: 2" Helps to soft close and open doors/drawers



#28.234 Soft close pin -drill hole 3/8" inch. Soft Length pin: 3/8" Length body: 2" Helps to soft close and open doors/drawers



#28.971 'blum' soft closer; heavy duty



#28.885 universal soft close pin with bracket 'salice' Heavy duty/hard hinge side



#28.896 Hard side; drill in mounting  
#28.897 Medium hard; drill in mounting  
#28.898 Light; drill in mounting





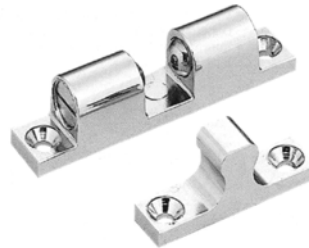
Izerwaren  
Order  
numbers

Tension catches  
316 stainless steel housing, ball  
304 stainless springs  
Tension adjustable  
Seawater resistant

29.040 Tension Catch with Strike 43 mm  
1 11/16 x 5/16 x 5/16 inch  
Adjustable force, Stainless Steel

29.041 Strike Separate for 43 mm unit

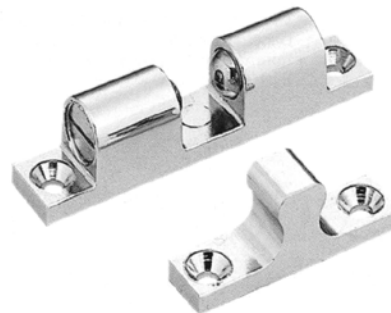
## STAINLESS STEEL TENSION CATCHES



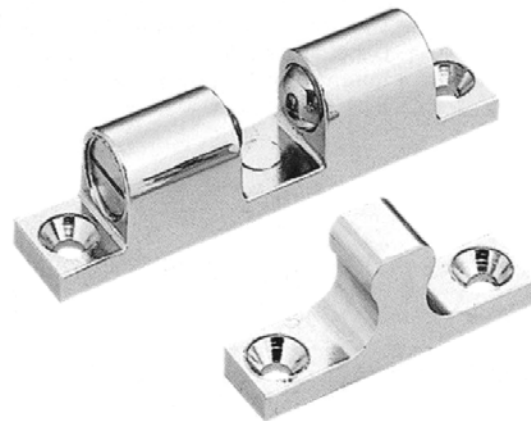
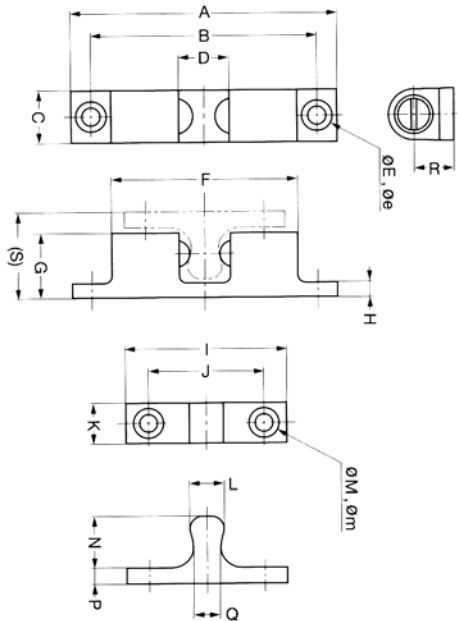
#29.040 Tension Catch; Strike included  
Sizes: A= 43 mm long, (1 11/16")  
K= 7.5 mm wide (5/16")  
G= 7.5 mm high (5/16")

29.050 Tension Catch with Strike 50 mm  
1 31/32 x 3/8 x 3/8 inch  
Adjustable force, Stainless Steel

29.051 Strike Separate for 50 mm unit



#29.050 Tension Catch; Strike included  
Sizes: A= 50 mm long, (1 31/32")  
K= 9 mm wide (3/8")  
G= 9.3 mm high (3/8")



29.070 Tension Catch with Strike 70 mm  
2 3/4 x 7/16 x 1/2 inch  
Adjustable force, Stainless Steel

29.071 Strike Separate for 70 mm unit

#29.070 Tension Catch; Strike included  
Sizes: A= 70 mm long, (2 3/4")  
K= 10.5 mm wide (7/16")  
G= 13 mm high (1/2")



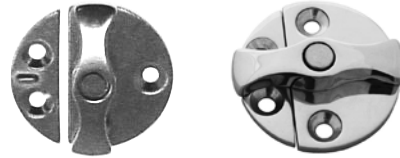


Izerwaren  
Order  
numbers

Thumb turn latch  
316 stainless steel  
Seawater resistant

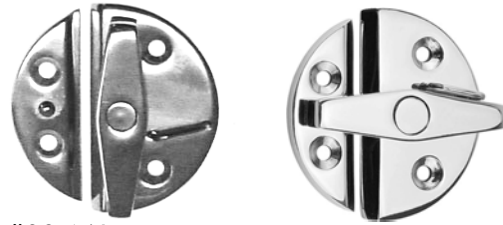
**MARINE THUMB-LATCH  
FOR CABINET DOORS**

29.612 Thumb-turn latch for refrigerators and cabinets  
Latch 43mm or 1 3/4" diameter  
Strike included  
13 mm high or 1/2" high  
Plate: 3.8 mm or  
316 Stainless Steel



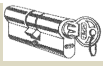
#29.612  
Latch 43mm or 1 3/4" diameter  
Strike included  
13 mm or 1/2" high

29.641 Latch 56 mm or 2-1/4 Diameter  
Strike included  
15 mm or 9/16" high  
Plate 4.5 mm or 3/16" thick



#29.641  
Latch 56 mm or 2-1/4 Diameter  
Strike included  
15 mm or 9/16" high

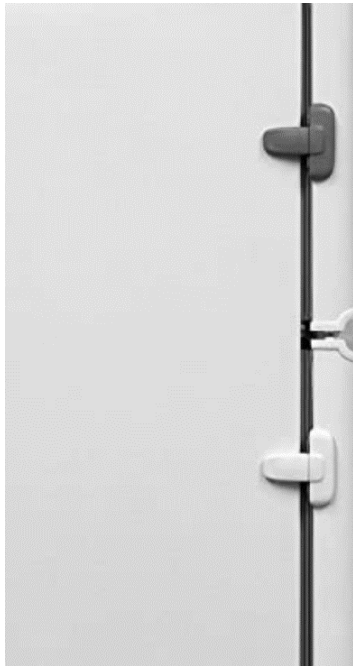




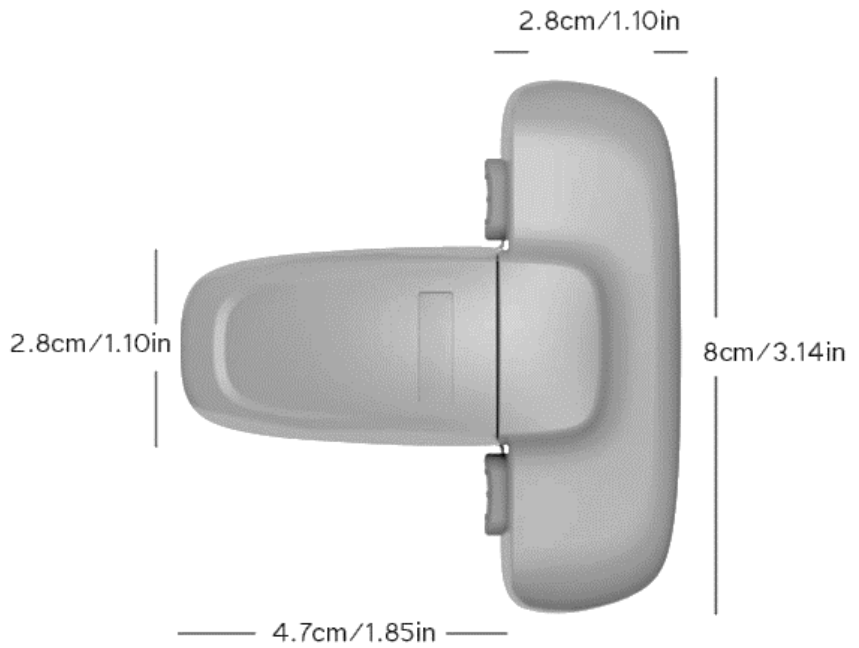
izerwaren  
Order  
numbers

**REFRIGERATOR DOOR LATCH**

- 23.374 Refrigerator door latch white
- 23.375 Refrigerator door latch grey



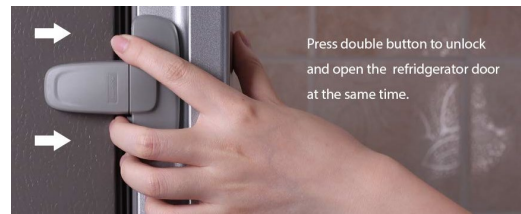
#23.374 refer latch white



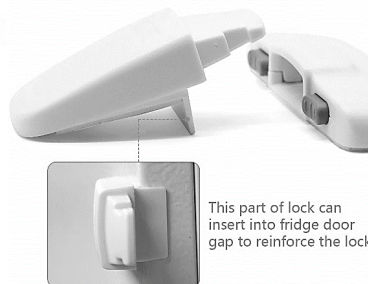
#23.375 refer latch grey.

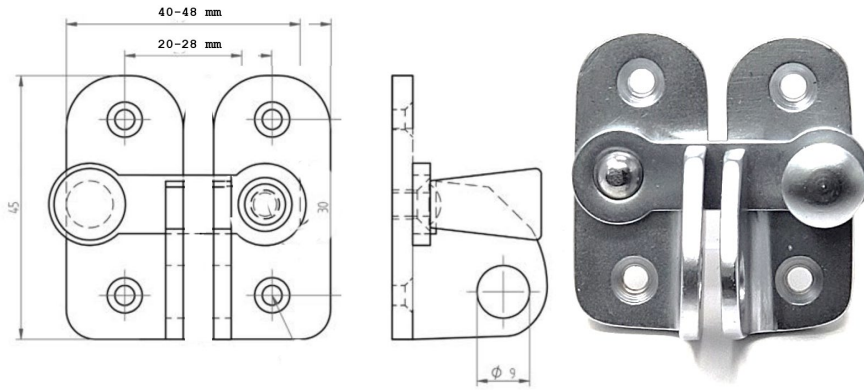
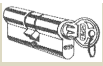


Depicted 23.374 white

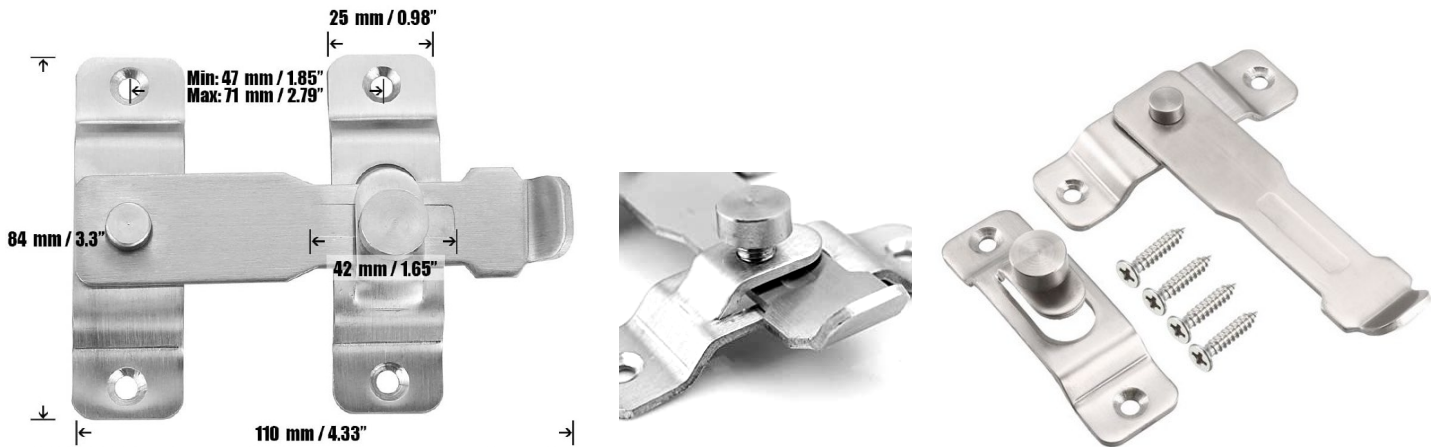


Push buttons simultaneously Two finger operation





#23.5502 RIGHT HAND DEPICTED door catch with cam - also for refrigerators. (see below) Lockable with padlock.  
#23.5501 LEFT HAND door catch with cam.  
Sizes: 40 x 45 mm; 1 13/16" x 1 3/4" high x 1 1/8" stand off. Lateral Play: 5/16" or 8 mm. Satin chrome plated brass



#23.5671 Door Latch 110 mm wide x 84 mm high. Projects 27 mm 1 1/16"; 4 5/8 x 3 5/8 x 1 1/16 inch  
With threaded knob to lock down the latch for refrigerators. Satin Stainless Steel.

**Showing Details Refrigerator Door Installation:**



#23.5501 Door Latch Brass Satin Chrome

#23.5671 Door Latch Satin Stainless Steel

Full size refrigerator latches showing on page 2-8-1